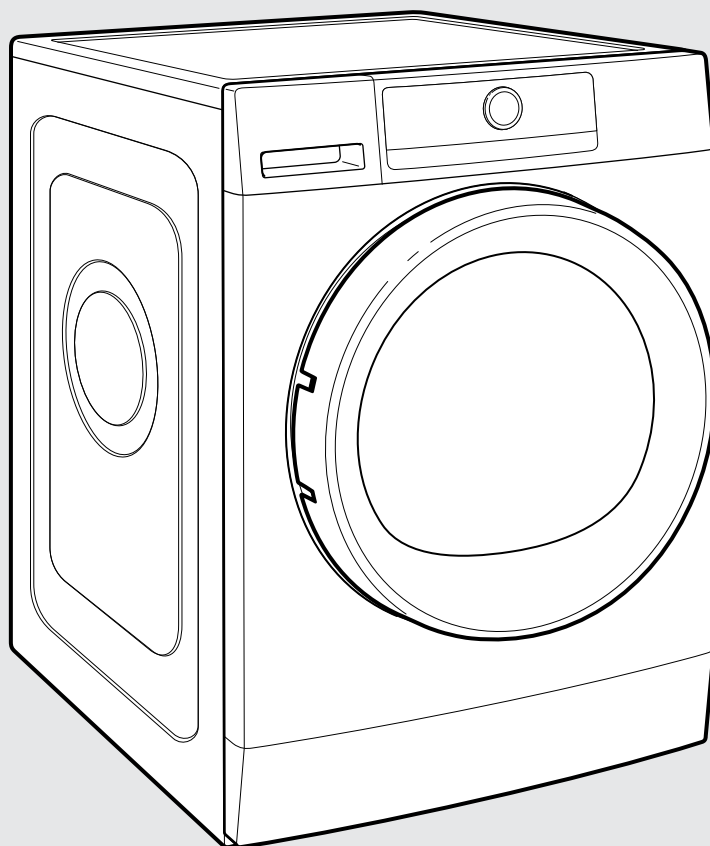




Use & Care Guide Guide d'utilisation et d'entretien

Front-Loading Automatic Washer Laveuse automatique à chargement frontal



Para obtener acceso al Manual de uso y cuidado en español, o para obtener información adicional acerca de su producto, visite: www.whirlpool.com

If you have any problems or questions, visit us at www.whirlpool.com.
Pour tout problème ou toute question, consulter www.whirlpool.ca.

W11330506 A
W11330507 A SP



Designed to use only HE High Efficiency detergents.
Conçue pour l'utilisation d'un détergent haute efficacité seulement.

Table of Contents

WASHER SAFETY	2
OPERATING INSTRUCTIONS	3
ACCESSORIES.....	3
CONTROL PANEL AND FEATURES	4
PROGRAM/CYCLE GUIDE	6
CHOOSING THE RIGHT DETERGENT.....	8
USING THE DISPENSER DRAWER	8
USING YOUR WASHER.....	9
WASHER MAINTENANCE.....	13
INSTALLATION INSTRUCTIONS.....	17
INSTALLATION REQUIREMENTS	17
LOCATION REQUIREMENTS	18
DRAIN SYSTEM	19
ELECTRICAL REQUIREMENTS	20
INSTALLATION INSTRUCTIONS	20
ROUTE DRAIN HOSE.....	21
CONNECT INLET HOSE.....	22
LEVEL WASHER.....	23
COMPLETE INSTALLATION CHECKLIST.....	24
TROUBLESHOOTING	25
WARRANTY	35
ASSISTANCE OR SERVICE	Back Cover

Table des matières

SÉCURITÉ DE LA LAVEUSE	36
INSTRUCTIONS D'UTILISATION	37
ACCESSOIRES.....	37
TABLEAU DE COMMANDE ET CARACTÉRISTIQUES	38
GUIDE DE PROGRAMMES.....	40
CHOIX DU DÉTERGENT APPROPRIÉ	42
UTILISATION DU TIROIR DISTRIBUTEUR.....	42
UTILISATION DE LA LAVEUSE.....	43
ENTRETIEN DE LA LAVEUSE	47
INSTRUCTIONS D'INSTALLATION	51
EXIGENCES D'INSTALLATION.....	51
EXIGENCES D'EMPLACEMENT	52
SYSTÈME DE VIDANGE.....	53
SPÉCIFICATIONS ÉLECTRIQUES.....	54
INSTRUCTIONS D'INSTALLATION.....	55
ACHEMINER LE TUYAU D'ÉVACUATION	56
RACCORDER LA TUYAU D'ARRIVÉE	56
RÉGLAGE DE L'APLOMB DE LA LAVEUSE.....	57
LISTE DE VÉRIFICATION POUR INSTALLATION TERMINÉE.....	58
DÉPANNAGE	59
GARANTIE	70
ASSISTANCE OU SERVICE	Couverture arrière

WASHER SAFETY

Your safety and the safety of others are very important.

We have provided many important safety messages in this manual and on your appliance. Always read and obey all safety messages.



This is the safety alert symbol.

This symbol alerts you to potential hazards that can kill or hurt you and others.

All safety messages will follow the safety alert symbol and either the word "DANGER" or "WARNING." These words mean:

! DANGER

You can be killed or seriously injured if you don't immediately follow instructions.

! WARNING

You can be killed or seriously injured if you don't follow instructions.

All safety messages will tell you what the potential hazard is, tell you how to reduce the chance of injury, and tell you what can happen if the instructions are not followed.

IMPORTANT SAFETY INSTRUCTIONS

WARNING: To reduce the risk of fire, electric shock, or injury to persons when using the washer, follow basic precautions, including the following:

- Read all instructions before using the washer.
- Do not wash articles that have been previously cleaned in, washed in, soaked in, or spotted with gasoline, dry-cleaning solvents, other flammable, or explosive substances as they give off vapors that could ignite or explode.
- Do not add gasoline, dry-cleaning solvents, or other flammable, or explosive substances to the wash water. These substances give off vapors that could ignite or explode.
- Under certain conditions, hydrogen gas may be produced in a hot water system that has not been used for 2 weeks or more. **HYDROGEN GAS IS EXPLOSIVE.** If the hot water system has not been used for such a period, before using the washing machine, turn on all hot water faucets and let the water flow from each for several minutes. This will release any accumulated hydrogen gas. As the gas is flammable, do not smoke or use an open flame during this time.
- Do not allow children to play on or in the washer. Close supervision of children is necessary when the washer is used near children.
- Before the washer is removed from service or discarded, remove the door or lid.
- Do not reach into the washer if the drum, tub or agitator is moving.
- Do not install or store the washer where it will be exposed to the weather.
- Do not tamper with controls.
- Do not repair or replace any part of the washer or attempt any servicing unless specifically recommended in this manual or in published user-repair instructions that you understand and have the skills to carry out.
- See "Electrical Requirements" for grounding instructions.

SAVE THESE INSTRUCTIONS

State of California Proposition 65 Warnings:

WARNING: This product contains one or more chemicals known to the State of California to cause cancer.

WARNING: This product contains one or more chemicals known to the State of California to cause birth defects or other reproductive harm.

OPERATING INSTRUCTIONS

Accessories

INSTALLATION & MAINTENANCE ACCESSORIES

FACTORY CERTIFIED PARTS – these three words represent quality parts and accessories designed specifically for your appliance. Time tested engineering that meets our strict quality specifications.

FACTORY CERTIFIED PARTS

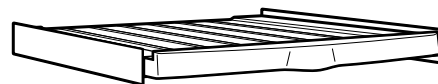
Accessories designed for your appliance:

Customize your new washer and dryer with the following genuine Whirlpool accessories. For more information on options and ordering, call **1-866-698-2538** or visit us at: **www.whirlpool.com/accessories**. In Canada, call **1-800-688-2002** or visit us at **www.whirlpool.ca**.



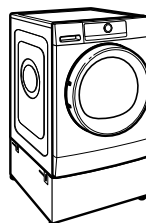
Stack Kit

If space is at a premium, the stack kit allows the dryer to be installed on top of the washer.

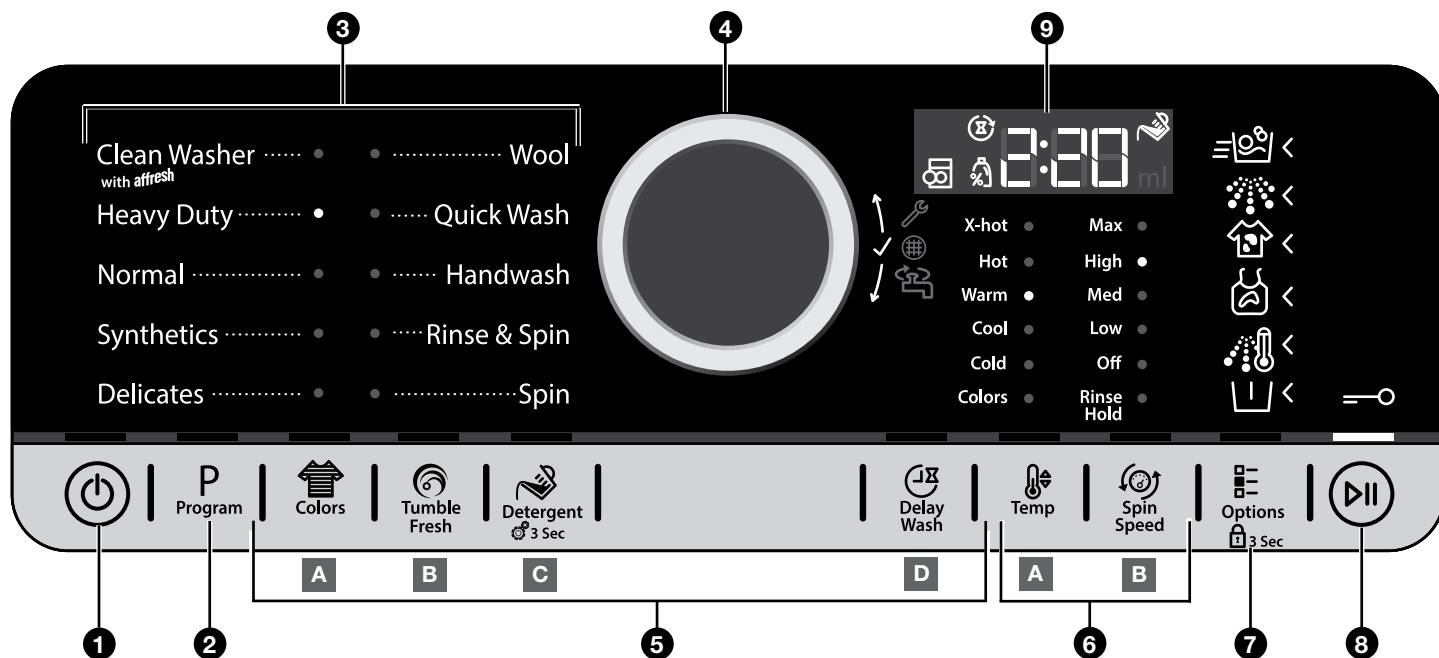


12" Pedestal

Color-matched pedestals raise the washer and dryer to a more comfortable working height.



Control Panel and Features



1 POWER BUTTON

Touch and hold until the indicator above the Program button lights up. The indicators above all the buttons will scroll from left to right as the washer turns on. Symbols appear on the control panel and sounds are played.

Touch and hold POWER to cancel a cycle. “rES” is displayed when the cycle is cancelled.

2 PROGRAM (cycle)

When you turn on the washer, the light above this button will turn on. This indicates you can now select your program or cycle. The program settings which you used last will appear on the control panel.

3 PROGRAM/CYCLE AREA

An indicator next to each program/cycle lights up as you use the knob to scroll through the list. Press the knob when the indicator next to the desired program/cycle lights up.

4 CONTROL KNOB

Turn the knob to select a program/cycle for your laundry load, change program/cycle temperature, adjust spin speed, set delay start time or dosing values, or select Other Options. Press the knob to confirm your selection.

5 OPTIONS

Touch to select additional wash options or additional features on the washer before touching the Start/Pause button. Additional wash options or additional features selected after touching the Start/Pause button may not be activated.

To return to factory default cycle settings, unplug the washer for 30 seconds, then plug back in.

A Colors

This option helps to preserve the colors of your laundry by washing them with cold water 59°F (15°C). Suitable for lightly soiled colored laundry without stains.

B TumbleFresh™ Option

The TumbleFresh™ option will periodically tumble the load after the end of the cycle every 3 minutes for 7 seconds, for up to 6 hours. To turn on the TumbleFresh™ option, touch the TUMBLEFRESH button. If, however,

the TumbleFresh™ option is turned on, it will stay on for all future cycles until turned back off – the washer remembers the last on/off status set. To turn off the TumbleFresh™ option, touch the TUMBLEFRESH button.

C Detergent Dosing Aid

This option helps to determine the correct amount of detergent for your laundry load. The concentration of detergents varies considerably, so adjust the amount of detergent as needed. Also check if the washer’s preset water hardness level matches your local water hardness level and adjust it if needed (see the “Using Your Washer” section).

When you touch this button, the Detergent Dosing Aid symbol lights up in the display.

When you touch the Start/Pause button to start the program/cycle, the drum will rotate to detect the load size of the laundry. During load detection, the time display changes from cycle time to a chasing LED animation. The display will then show the recommended detergent amount in milliliters (see Concentration Chart in “About Detergent Concentration”). Use any standard measuring cup to measure out the right detergent amount. After adding detergent, close the detergent dispenser. Touch and hold the START/PAUSE button to continue the cycle.

D Delay Wash

This option starts your program/cycle at a later time, up to 24 hours.

6 SETTINGS

A Temperature

This setting lets you change the temperature of the program/cycle selected, if desired.

B Spin Speed

This setting lets you change the spin speed of the program/cycle selected, if desired.

Rinse/Hold

This option will stop at the end of the rinse portion of the cycle and leave the clothes soaking until you touch the Start/Pause button to continue the drain and final spin.

7 OTHER OPTIONS



Save Time

This option enables quicker washing. Only recommended for lightly soiled laundry.



Extra Rinse

This option helps to avoid detergent residues in the laundry by extending the rinse time. Especially suitable for baby laundry, people with allergies, or areas with soft water.



Heavy Soil

This option optimizes the stain-removal efficiency of additives. Ideal for heavily soiled, stained laundry. Add an appropriate amount of powder in-wash additive for stain removal to the main wash compartment, together with your detergent (powder only). This may extend the program by up to 15 minutes. Appropriate for use with oxygen-based stain removers.

IMPORTANT: Chlorine or perborate bleach agents must not be used.



Pre-Soak

The Pre-Soak option may be set either on or off. The Pre-Soak option will perform a 30 minute cold soak at the beginning of the cycle.

NOTE: Pretreatment is recommended for stubborn stains.



Sanitize

This cycle eliminates 99.9% of the most common bacteria found in clothes, sheets, and towels. The extra hot wash temperature ensures sanitization. Check recommended wash temperature of your items. Bacteria tested were *K. pneumonia*, *P. auginosa*, and *S. aureus*.



PreWash

This option helps to clean heavily soiled laundry by adding a 20-minute prewash to the program/cycle selected.



Control Lock

This option allows you to lock the buttons and knob to avoid unwanted use by small children or other unqualified persons. Touch and hold the OPTION button until the “key” symbol lights up. All controls will be locked except for the Power button. To cancel Key Lock, touch and hold the OPTION button until the key symbol goes off.

8 START/PAUSE BUTTON

Touch to start, or touch and hold to pause, a program/cycle. When you start a program/cycle, the display shows an animation of chasing LEDs. This indicates the washer is estimating dry load size. Once the load size is estimated, water will be added to start the wash cycle.

9 LED DISPLAY

When you select a program/cycle, its default settings will light up and the Estimated Time Remaining will be displayed. Factors such as load size, wash temperature, and water pressure may affect the time shown in the display. Tightly packing, unbalanced loads, or excessive suds may cause the washer to lengthen the program/cycle time, as well.

Symbols



Door can be opened.



Water supply is inadequate.



Water cannot be drained. Drain pump filter, drain hose, or pump may be blocked. Check drain hose for kinks or clean the filter as shown in “Washer Maintenance.”



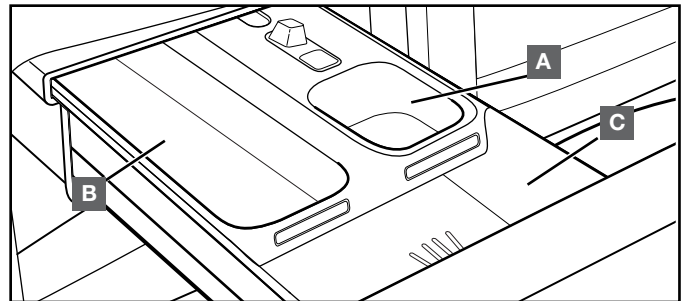
Call for service.



Dosing aid symbols.

Dispenser Drawer

The dispenser drawer gives you the convenience of adding HE detergent and liquid fabric softener to the wash load at the proper time. See “Using the Dispenser Drawer” for information on using the dispenser drawer.



A Liquid fabric softener compartment

Automatically dilutes and dispenses liquid fabric softener at the optimum time in the cycle.

■ Use only liquid fabric softener in this dispenser.

B Prewash compartment

When using the PreWash option, add detergent here or directly into the drum.

C Main wash compartment

This compartment holds liquid or powdered HE detergent for your main wash cycle. If PreWash detergent has been added to the drum, use powdered detergent in the main wash compartment; this ensures that the detergent stays in the detergent dispenser until the start of the main wash phase.


IMPORTANT: Do not use chlorine bleach in this washer.


Program/Cycle Guide


Settings and options shown in **bold** are default settings for that program/cycle. For best fabric care, choose the program/cycle, options, and settings that best fit the load being washed. Not all settings are available with each program/cycle, and some options cannot be used together.


Load Size Recommendations

For best results, follow the load size recommendations noted for each program/cycle.

 **Small load:** Fill the washer drum with 3–4 items, not more than 1/4 full.

 **Medium load:** Fill the washer drum up to about 1/2 full.

 **Large load:** Fill the washer drum up to about 3/4 full.

 **Extra-large load:** Fill the washer drum, but make sure clothes can tumble freely. For best results, avoid packing tightly.

Rinse Hold Option



This option keeps laundry in the final rinse water without spinning. Rinse Hold is suitable for delicate laundry and items that require a lower spin speed, but is not appropriate for silk.

To turn off Rinse Hold and drain the water:

- Turn the knob to select “0” for spin speed, press the knob to confirm your selection, and touch the START/PAUSE button.

OR








- Spin the laundry, if desired. Touch the START/PAUSE button to spin at the default speed or turn the knob to select a different spin speed, press the knob to confirm your selection, and touch the START/PAUSE button.

Program/Cycle:	Items to Wash Using Default Program/Cycle Settings:	Wash Temperature:*	Spin Speed:	Available Options:	Program/Cycle Details:
Clean Washer with affresh®	No clothes in washer	X-hot	N/A		Use this program/cycle every 30 washes to keep the inside of your washer fresh and clean. This program/cycle uses a higher water level. Use with affresh® washer cleaner tablet to thoroughly clean the inside of your washer. This program/cycle should not be interrupted. See “Washer Care.” IMPORTANT: ■ Do not place garments or other items in the washer during the Clean Washer with affresh® program/cycle. Use this program/cycle with an empty wash tub. See “Washer Care” in “Washer Maintenance.” ■ Do not use bleach; however, a non-chlorinated oxidizing agent can be used.
Heavy Duty	Sturdy colorfast fabrics and heavily soiled garments	X-hot Hot Warm Cool Cold Colors	Max High Medium Low Off	Colors TumbleFresh™ Detergent Delay Wash Extra Rinse Heavy Soil Pre-Soak PreWash Sanitize** PreWash Rinse/Hold	 Fast-speed tumbling and an extra-high-speed final spin help provide optimal cleaning and reduce drying times.
Normal	Normally soiled cottons, linens, sheets, and mixed-garment loads	X-hot Hot Warm Cool Cold Colors	Max	Colors TumbleFresh™ Detergent Delay Wash Save Time Extra Rinse Pre-Soak PreWash Rinse/Hold	 This program/cycle combines medium-speed tumbling and an extra-high-speed spin. This program/cycle is designed to provide the most energy efficiency.

*All temperature selections feature a Cold rinse.

**Only available for X-hot setting.

Continued on next page

Program/ Cycle:	Items to wash using default program/ cycle settings:	Wash Temperature:*	Spin Speed:	Available Options:	Program/Cycle Details:
Synthetics	Normally soiled laundry made of artificial fibers or cotton blends	X-hot Hot Warm Cool Cold Colors	Max High Medium Low Off	Colors TumbleFresh™ Detergent Delay Wash Save Time Extra Rinse Heavy Soil Pre-Soak PreWash Rinse/Hold	 This cycle uses high-speed extraction spins to remove the maximum amount of water. Also utilizes a high-speed tumbling (similar to normal and heavy-duty cycles).
Delicates	Sheer fabrics, lingerie, sweaters, and lightly soiled shirts, blouses, trousers, pants, and skirts	Warm Cool Cold Colors	Medium Low Off	Colors TumbleFresh™ Detergent Delay Wash Save Time PreWash Rinse/Hold Extra rinse Heavy soil Pre-Soak	 This program/cycle combines gentle tumble action and low-speed spin for gentle fabric care and reduced wrinkling.
Wool	Wool items labelled with the Woolmark logo and identified as machine washable	Cool Cold Colors	Low Off	Colors TumbleFresh™ Delay Wash Save Time Rinse/Hold Detergent Extra Rinse Heavy soil PreWash Pre-Soak	 This cycle uses a reduced/gentle tumble pattern that allows for soaking and limited wear on fabric. Also uses lower spin speeds.
Quick Wash	Small loads of 2-4 lightly soiled garments	Hot Warm Cool Cold Colors	Max High Medium Low Off	Colors TumbleFresh™ Detergent Delay Wash Rinse/Hold Save time Extra rinse Heavy Soil PreWash Pre-Soak	 For small loads (2-4 items) needed quickly. This program/cycle combines high-speed tumbling, a shortened wash time, and an extra-high-speed spin for reduced drying times.
Handwash	Silk (see care label recommendations), cashmere, viscose marked as machine washable	Cool Cold Colors	Low Off	Colors TumbleFresh™ Delay Wash Save Time Rinse/Hold Detergent Extra Rinse Heavy Soil PreWash Pre-Soak	 Use this cycle for delicate fabrics. This cycle uses a reduced/gentle tumble pattern that allows for soaking and limited wear on fabric. Also uses lower spin speeds.
Rinse & Spin	All loads	N/A	Max High Medium Low Off	TumbleFresh™ Extra Rinse Rinse/Hold	 Use this program/cycle to get a rinse and spin only. This program/cycle has high-speed spin. Rinse & Spin is useful for loads that need rinsing only and for adding fabric softener to a load using the fabric softener dispenser.
Spin	Wet load of clothes	N/A	Max High Medium Low Off	TumbleFresh™	 Use Spin to remove excess water from the load. Spin speed can be set to a lower setting.

*All temperature selections feature a Cold rinse.

Choosing the Right Detergent

Use only High Efficiency detergents. The package will be marked “HE” or “High Efficiency.” Low-water washing creates excessive sudsing with a non-HE detergent. Using non-HE detergent will likely result in longer cycle times and reduced rinsing performance. It may also result in component malfunction and, over time, buildup of mold or mildew. HE detergents should be low-sudsing and quick-dispersing to produce the right amount of suds for the best performance. They should hold soil in suspension so it is not redeposited onto clean clothes. Not all detergents labeled as High Efficiency are identical in formulation and their ability to reduce suds. For example, natural, organic, or homemade HE detergents may generate a high level of suds. Always follow the detergent manufacturer’s instructions to determine the amount of detergent to use.



Use only High Efficiency (HE) detergent.

About Detergent Concentration

Today’s liquid HE detergents are concentrated. Most brands of concentrated HE detergent will show the level of concentration on the bottle.

However, if the detergent bottle does not give the concentration, it can be easily calculated. Just divide the package size in fluid ounces by the number of loads. Then refer to the chart below to find the concentration.

If you do not get your desired cleaning results, try using a lower concentration number. If you have excess suds, try using a higher concentration number.

Concentration	Number of ounces ÷ number of loads
2X	1.5–2.49 (44.4 ml–73.6 ml)
3X	0.9–1.49 (26.6 ml–44.1 ml)
4X	0.7–0.89 (20.7 ml–26.3 ml)
5X	0.5–0.69 (14.8 ml–20.4 ml)
6X	0.3–0.49 (8.9 ml–14.5 ml)

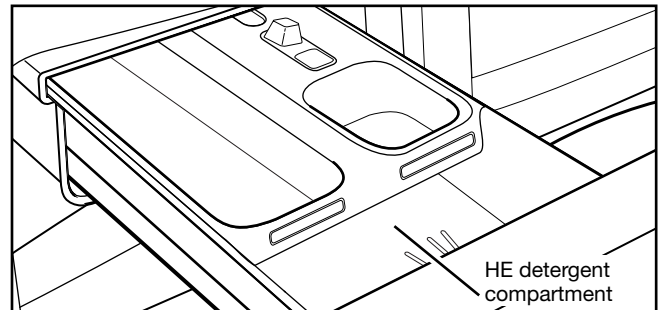
Using the Dispenser Drawer

1. Open the dispenser drawer.
2. Add laundry products as described in steps 4–6 in the “Using Your Washer” section.
3. Slowly close the dispenser drawer. Make sure it is completely closed.

NOTE: A small amount of water may remain in the dispensers from the previous wash cycle. This is normal.

IMPORTANT: Do not use chlorine bleach in this washer.

Adding HE detergent to dispenser



Pour a measured amount of HE detergent into detergent compartment.

Do not overfill; adding too much detergent may cause detergent to be dispensed into the washer too early.



Use only High Efficiency (HE) detergent.

IMPORTANT:

- Do not add single-dose laundry packet to dispenser drawer.
- Use powdered detergent when using the Delay Wash option. Liquid detergent may seep out before the wash begins.

Adding the proper amount of detergent

- Only use detergent manufacturer’s recommended quantity of detergent (HE liquid or HE powder).
- If the PreWash option is selected, split the detergent dose between the Prewash and Main Wash compartments.

Using Your Washer

⚠️ WARNING



Fire Hazard

Never place items in the washer that are dampened with gasoline or other flammable fluids.

No washer can completely remove oil.

Do not dry anything that has ever had any type of oil on it (including cooking oils).

Doing so can result in death, explosion, or fire.

⚠️ WARNING



Electrical Shock Hazard

Plug into a grounded 3 prong outlet.

Do not remove ground prong.

Do not use an adapter.

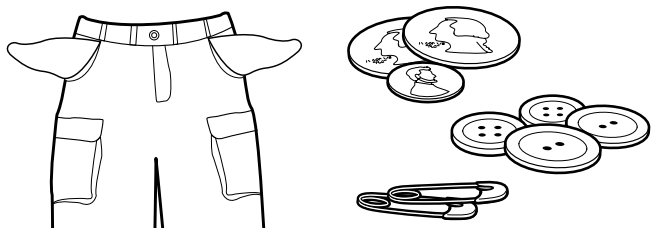
Do not use an extension cord.

Failure to follow these instructions can result in death, fire, or electrical shock.

First wash cycle without laundry

Before washing clothes for the first time, add liquid or powdered HE detergent to the detergent dispenser. Choose the Quick Wash cycle and run it without clothes. Use only HE detergent. This initial cycle serves to ensure the interior is clean and the dispenser drawer is ready for use before washing clothes.

1. Sort and prepare your laundry

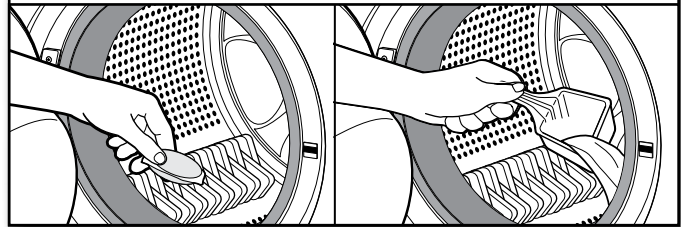


Sort items by recommended cycle, water temperature, and colorfastness. Separate heavily soiled items from lightly soiled. Separate delicate items from sturdy fabrics. Treat stains promptly and check for colorfastness by testing stain remover products on an inside seam.

IMPORTANT:

- Empty pockets. Loose change, buttons, or any small object can plug pumps and may require a service call.
- Close zippers, fasten hooks, tie strings and sashes, and remove non-washable trim and ornaments.
- Mend rips and tears to avoid further damage to items during washing.
- Turn knits inside out to prevent pilling. Separate lint-takers from lint-givers. Synthetics, knits, and corduroy fabrics will pick up lint from towels, rugs, and chenille fabrics.
- Do not dry garments if stains remain after washing, because heat can set stains into fabric.
- Always read and follow fabric care labels and laundry product instructions. Improper usage may cause damage to your garments.

2. Add laundry products (if desired)

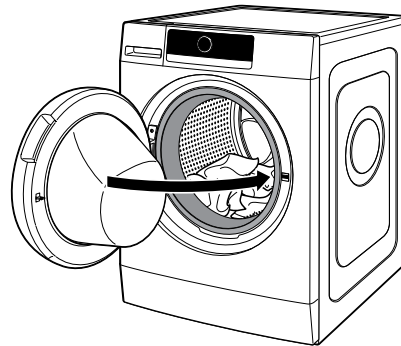


Single-dose laundry packets, Oxi-type boosters, or fabric softener crystals can be added to the drum prior to adding laundry.

NOTES:

- Always follow manufacturer's instructions.
- Do not use chlorine bleach.

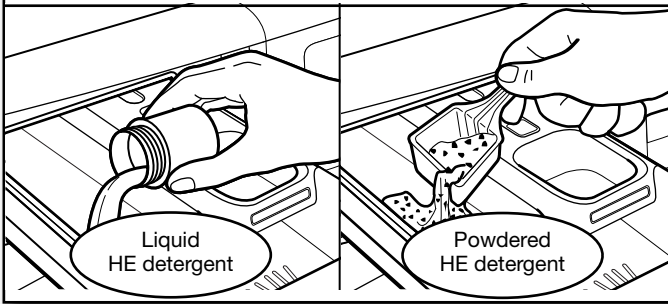
3. Load laundry into washer



Place a load of sorted items loosely in the washer. Items need to move freely for best cleaning and to reduce wrinkling and tangling. Close the washer door by pushing it firmly until the latch clicks.

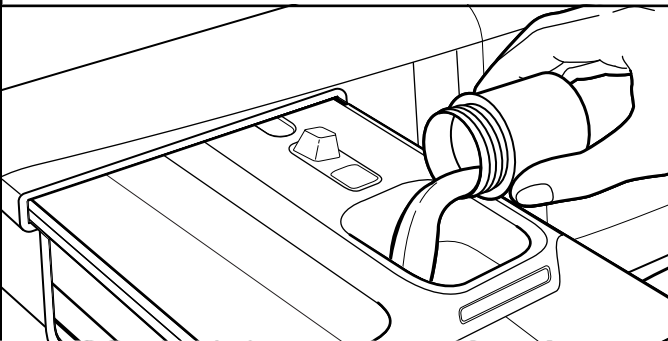
- Depending on load type and cycle, the washer can be fully loaded, but not tightly packed. Washer door should close easily. See "Program/Cycle Guide" for loading suggestions.
- Mix large and small items and avoid washing single items. Load evenly.
- Wash small items in mesh garment bags. For multiple items, use more than one bag and fill bags equally.

4. Add HE detergent*



NOTE: Do not add single-dose laundry packets, Oxi-type boosters, or fabric softener crystals to dispensers. They will not dispense correctly.

5. Add liquid fabric softener to dispenser (if desired)



Pour a measured amount of liquid fabric softener into liquid fabric softener compartment. Always follow manufacturer's directions for correct amount of fabric softener based on your load size.

Fabric softener is always dispensed in the last rinse, even if Extra Rinse is selected.

IMPORTANT: Do not overfill, dilute, or use more than 1/4 cup (60 mL) of fabric softener. Do not fill past the MAX line. Overfilling dispenser will cause fabric softener to immediately dispense into washer.

- Do not spill or drip any fabric softener onto the clothes.
- Do not use liquid fabric softener dispenser balls in this washer. They will not dispense correctly.

6. Touch and hold POWER button to turn on washer

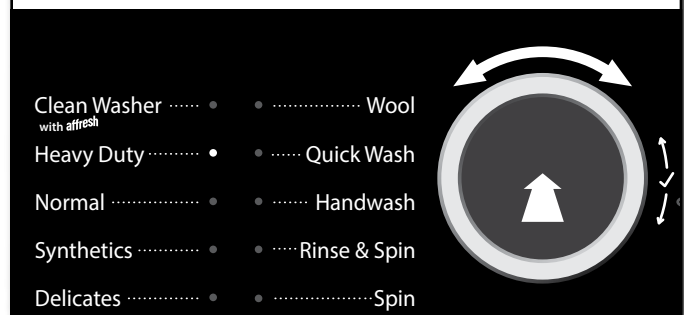


Touch and hold until the indicators turn on.

NOTE: To cancel a cycle, touch and hold the POWER button. "rES" is displayed when the cycle is cancelled.

NOTE: When powering on the washer, the indicator lights will scroll across the front of the control panel. Do not try to program the washer until the lights stop scrolling.

7. Select program/cycle†



Turn the knob to select a program/cycle for your laundry load. As you turn the knob, an indicator light will light up next to the program/cycle names to the left of the knob. Stop turning when the indicator next to the desired program/cycle lights up. Press the knob to confirm your selection.

See "Program/Cycle Guide" for details on program/cycle features.

*Detergent can be added after touching the Start/Pause button if the Dosing Aid is used (see Step 8).

†Not all options and settings are available with all program/cycles. See "Program/Cycle Guide" for available options and settings.

8. Select options, if desired†



Dosing Aid (Detergent Button):

The Detergent button calculates a recommended amount of detergent in milliliters. This will be displayed after touching the Start/Pause button and the load is detected. The Detergent button also lets you adapt your washer to the dosing amounts of your detergent and the hardness of your local water.

To set the washer for the detergent dosing amount:

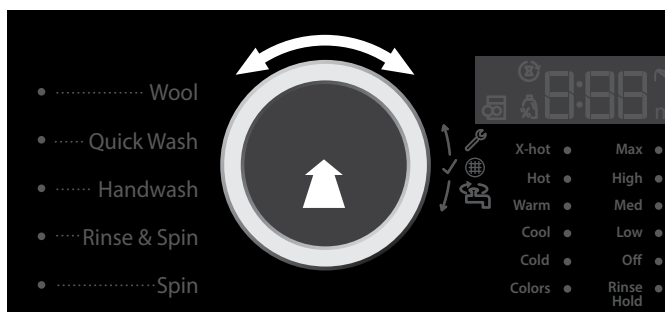
1. Check your detergent dosing amount for medium soil level and medium water hardness.

NOTE: Do not add more than the dose recommended by the detergent manufacturer.

2. Touch and hold the DETERGENT button until the bottle symbol on the display lights up.

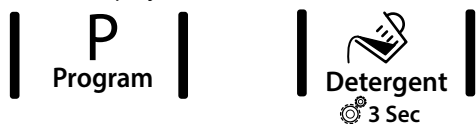


3. Turn the knob to adjust the dosing value to the one shown on the detergent bottle. Press the knob to confirm your selection. See the chart in “About Detergent Concentration.”

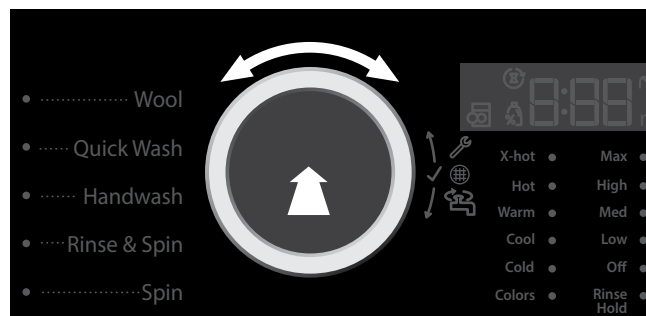


To set the washer for local water hardness (washer is preset for soft water):

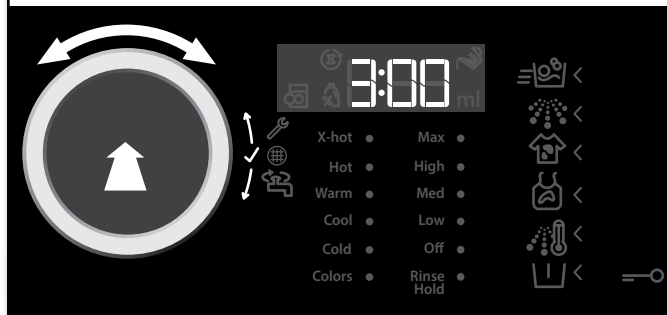
1. Check your regional water hardness level by consulting your local authorities or the Internet.
2. If your water is not soft, touch and hold the PROGRAM and DETERGENT buttons at the same time. “1” (for soft water) appears on the display.



3. Turn the knob to adjust the water level to either “2” (Medium) or “3” (Hard). Press the knob to confirm your selection.



9. Setting a delayed wash, if desired†



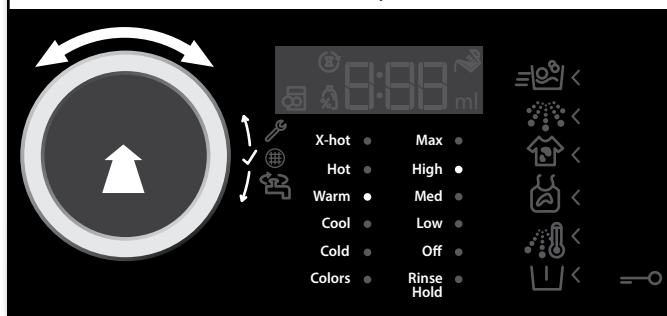
If you do not want to begin a cycle immediately, you may choose the Delay Wash option. This will delay the start of the wash cycle by up to 24 hours.

To set a Delayed Wash:

1. Touch the DELAY WASH button to set the desired delay time.
2. Turn the knob to the number of hours you want to delay the start of the wash cycle. The delay time will appear on the display. Press the knob to confirm your selection.

After touching the Start/Pause button, the door will lock and the time will count down until the delay time has been reached. The washer will start and the display will show the remaining time in the cycle.

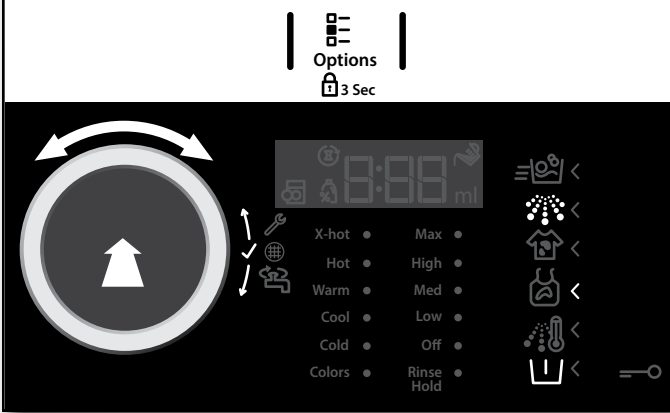
10. Change temperature or spin speed, if desired†



Touch the TEMP or SPIN SPEED button; then turn the knob to select the desired temperature or spin speed. As you turn the knob, an indicator light will light up next to the temperatures or spin speeds to the right of the knob. Stop turning when the indicator next to the desired selection lights up. Press the knob to confirm your selection.

†Not all options and settings are available with all program/cycles. See “Program/Cycle Guide” for available options and settings.

11. Select any additional options†



After setting temperature or spin speed, the light above “Options” lights up. Turn the knob to select the desired option(s). As you turn the knob, the option symbols above the Options button will light up one at a time as you turn the knob. Stop turning when the symbol of the desired option lights up. Press the knob to confirm your selection.

12. Touch START/PAUSE button to begin wash program/cycle



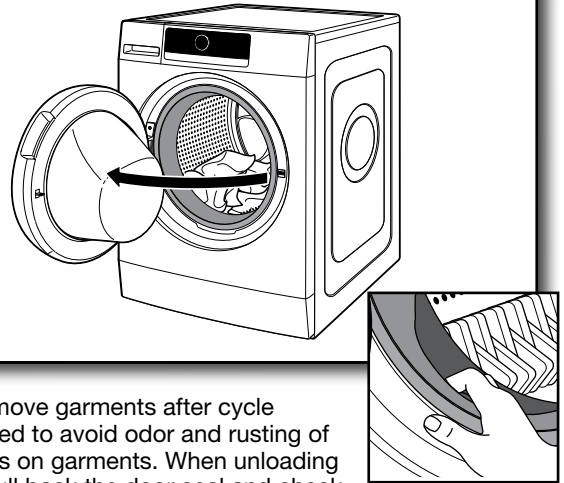
Touch the START/PAUSE button to start the wash program/cycle. To pause a program/cycle in progress, touch the START/PAUSE button once, then touch again to continue the program/cycle. To cancel a program/cycle, touch the POWER button.

Once you touch the START/PAUSE button, you will hear the door lock. The washer door will remain locked during the wash program/cycle.

13. Touch POWER button to turn off washer after program/cycle ends

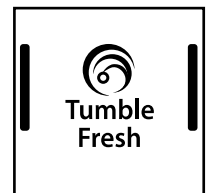


14. Remove garments promptly after cycle is finished



Promptly remove garments after cycle has completed to avoid odor and rusting of metal objects on garments. When unloading garments, pull back the door seal and check for small items between the tub and the washer drum.

If you will be unable to remove the load promptly, use the TumbleFresh™ option. If the TumbleFresh™ option is selected, the washer will automatically tumble the load periodically for up to 6 hours. To turn off the TumbleFresh™ option, touch the POWER button. To set the washer so that the TumbleFresh™ option does not come on for future cycles, touch the TUMBLEFRESH button.



NOTES:

- The door will remain locked while the TumbleFresh™ option is active. To cancel the option and unlock the door, touch the POWER button.
- A small amount of water may remain in the dispensers after the wash cycle is complete. This is normal.
- This washer has a tight seal to avoid water leaks. To avoid odors, leave the door open to allow the washer to dry between uses.

†Not all options and settings are available with all program/cycles. See “Program/Cycle Guide” for available options and settings.

Washer Maintenance

WATER INLET HOSE

Replace inlet hose after five years of use to reduce the risk of hose failure. Periodically inspect and replace inlet hose if bulges, kinks, cuts, wear, or leaks are found.

When replacing your inlet hose:

- Mark the date of replacement on the label with a permanent marker.
- Check that the old washer is not stuck on the washer inlet valve.
- Use a new washer in the new inlet hose to ensure a proper seal.

WASHER CARE

Recommendations to Help Keep Your Washer Clean and Performing at Its Best

1. Always use High Efficiency (HE) detergents and follow the HE detergent manufacturer's instructions regarding the amount of HE detergent to use. Never use more than the recommended amount because that may increase the rate at which detergent and soil residue accumulate inside your washer, which in turn may result in undesirable odor.
2. Use warm or hot water washes sometimes (not exclusively cold water washes), because they do a better job of controlling the rate at which soils and detergent accumulate.
3. Always leave the washer door slightly ajar between uses to help dry out the washer and avoid the buildup of odor-causing residue.
4. Periodically clean residue from all interior surfaces of the glass window. For better care, wipe the entire inside of the glass door with a damp cloth.

Cleaning Your Front-Loading Washer

Read these instructions completely before beginning the routine cleaning processes recommended below. This Washer Maintenance Procedure should be performed, at a minimum, once per month or every 30 wash cycles, whichever occurs sooner, to control the rate at which soils and detergent may otherwise accumulate in your washer.

Cleaning the Door Seal

1. Open the washer door and remove any clothing or items from the washer.
2. Inspect the seal between the door opening and the drum for stained areas or soil buildup. Pull back the seal to inspect all areas under the seal and to check for foreign objects.
3. If stained areas or soil buildup are found, wipe down these areas of the seal using the following procedure:
When the cycle is complete, gently pull back the rubber door seal and clean the entire surface with the textured side of an affresh® Machine Cleaning Wipe.

WASHER CARE (cont.)

Cleaning the Inside of the Washer

This washer has a special cycle that uses higher water volumes in combination with affresh® Washer Cleaner to thoroughly clean the inside of the washer. Steam washer models also utilize steam to enhance cleaning in this special cycle.

NOTE: Read these instructions completely before beginning the cleaning process.

Begin procedure

Clean Washer with affresh® Cycle Procedure (Recommended for Best Performance):

- a. Open the washer door and remove any clothing or items.
- b. Use an affresh® Machine Cleaning Wipe or a soft, damp cloth or sponge to clean the inside door glass.
- c. Add an affresh® Washer Cleaner tablet to the washer drum.
- d. Do not add the affresh® Washer Cleaner tablet to the dispenser drawer.
- e. Do not add any detergent or other chemical to the washer when following this procedure.
- f. Close the washer door.
- g. Select the Clean Washer with affresh® cycle.
- h. Select the TumbleFresh™ option to help dry the washer interior after the cycle is complete.
NOTE: The washer remembers your last option selection and will use it for future wash cycles until you deselect that option.
- i. Touch the START/PAUSE button to begin the cycle. The Clean Washer with affresh® Cycle Operation is described below.

Description of Clean Washer with affresh® Cycle Operation:

1. Do not run this cycle with a load. Doing so could damage the items.
2. After the cycle is complete, leave the door open slightly to allow for better ventilation and drying of the washer interior.

Cleaning the Dispensers

After a period of using your washer, you may find some residue buildup in the washer's dispensers. To remove residue from the dispensers, remove the drawer and wipe the surfaces with an affresh® Machine Cleaning Wipe or a damp cloth and towel dry either before or after you run the Clean Washer with affresh® cycle. Use an all-purpose surface cleaner, if needed.

IMPORTANT: Dispenser is not dishwasher safe.

Cleaning the Outside of the Washer

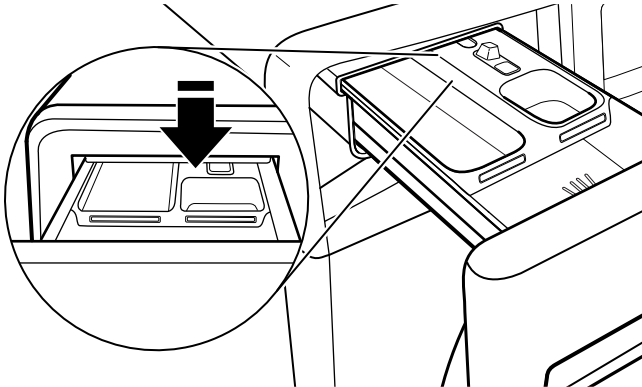
Use an affresh® Machine Cleaning Wipe or a soft, damp cloth or sponge to wipe up any spills. Occasionally wipe the outside of your washer to help keep it looking new. Use an affresh® Machine Cleaning Wipe or mild soap and water.

IMPORTANT: To avoid damaging the washer's finish, do not use abrasive products.

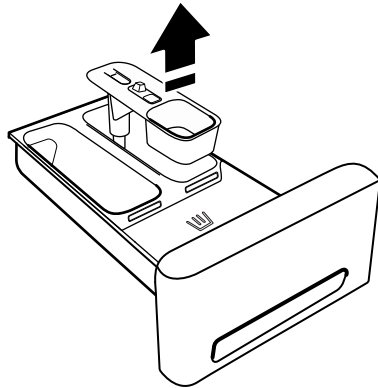
REMOVING THE DISPENSER

To remove:

1. Pull dispenser drawer out until it stops.
2. Press down on the release tab and pull straight out to remove the dispenser.

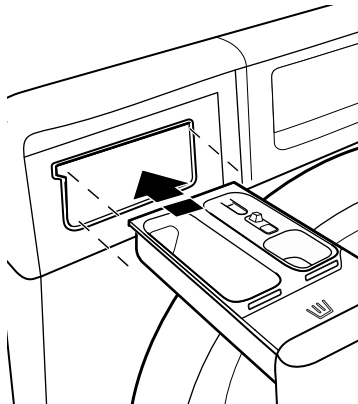


3. Lift off cover panel by pulling straight up.



To replace:

1. Slide cover panel back onto posts on dispenser.
2. Align edges of dispenser with guides in washer, then slide dispenser back into slot.



NON-USE AND VACATION CARE

Operate your washer only when you are home. If moving, or not using your washer for a period of time, follow these steps:

1. Unplug or disconnect power to washer.
2. Turn off water supply to washer to avoid flooding due to water pressure surges.

HELPFUL TIP: Attach a reminder note to the washer to turn the water back on before washer's next use.

3. Clean the dispensers. See "Cleaning the Dispensers."

WINTER STORAGE CARE

IMPORTANT: To avoid damage, install and store washer where it will not freeze. Because some water may stay in hoses, freezing can damage washer. If storing or moving during freezing weather, winterize your washer.

To winterize washer:

1. Shut off water faucet, disconnect and drain water inlet hose.

HELPFUL TIP: Attach a reminder note to the washer to turn the water back on before washer's next use.

2. Put 1 qt. (1 L) of R.V.-type antifreeze in washer drum and run washer on Normal cycle for about 2 minutes to mix antifreeze and remaining water.
3. Unplug washer or disconnect power.

TRANSPORTING YOUR WASHER

1. Shut off water faucet. Disconnect and drain water inlet hose.
2. If washer will be moved during freezing weather, follow "Winter Storage Care" directions before moving.
3. Disconnect drain hose from drain system and from back of washer.
4. Unplug power cord.
5. Place inlet hose and drain hose inside washer drum.
6. Bundle power cord with a rubber band or cable tie to keep it from hanging onto the ground.

IMPORTANT: Call for service to install new transport bolts. Do not reuse transport bolts. Washer must be transported in the upright position. To avoid structural damage to your washer, it must be properly set up for relocation by a certified technician.

⚠ WARNING



Electrical Shock Hazard

Plug into a grounded 3 prong outlet.

Do not remove ground prong.

Do not use an adapter.

Do not use an extension cord.

Failure to follow these instructions can result in death, fire, or electrical shock.

REINSTALLING/USING WASHER AGAIN

To reinstall washer after non-use, vacation, winter storage, or moving:

1. Refer to "Installation Instructions" to locate, level, and connect washer.
2. Before using again, run washer through the following recommended procedure:

To use washer again:

1. Flush water pipes and hose. Reconnect water inlet hose. Turn on water faucet.
2. Plug in washer or reconnect power.
3. Run washer through Heavy Duty cycle to clean washer and remove antifreeze, if used. Use only HE detergent. Use half the manufacturer's recommended amount for a medium-size load.

⚠ WARNING



Electrical Shock Hazard

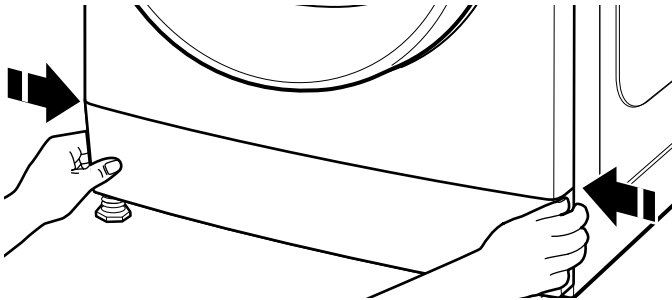
Disconnect power before cleaning.

Replace all parts and panels before operating.

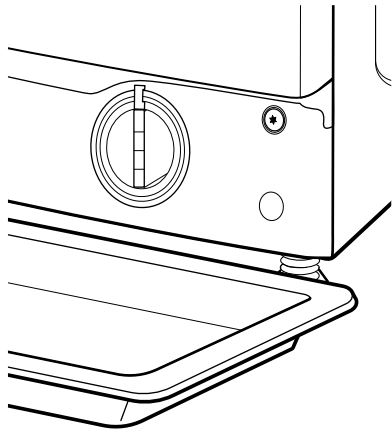
Failure to do so can result in death or electrical shock.

CLEANING THE DRAIN PUMP FILTER/ DRAINING RESIDUAL WATER

1. Push the tabs located on both sides of the base panel to release it, then remove.

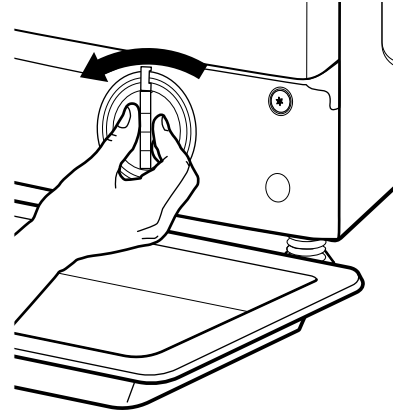


2. Place a broad, flat container beneath the drain pump filter to collect the drain water.

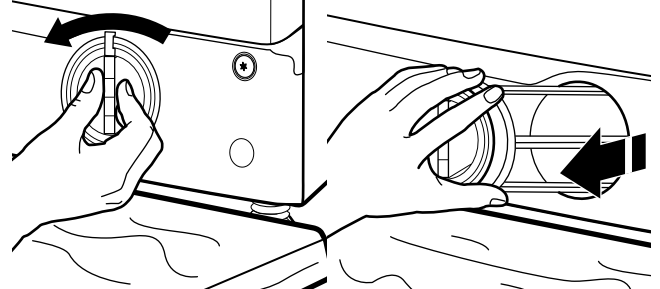


CLEANING THE DRAIN PUMP FILTER/ DRAINING RESIDUAL WATER (cont.)

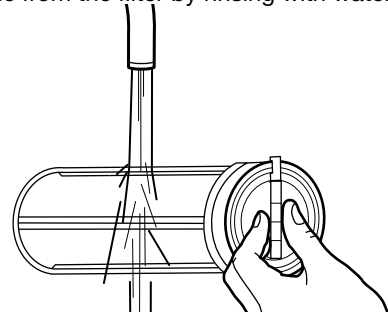
3. Slowly turn the filter counterclockwise until water flows out. Let the water flow out, without removing the filter. When the container is full, close the drain pump filter by turning it clockwise. Empty the container. Repeat this procedure until all the water has drained.



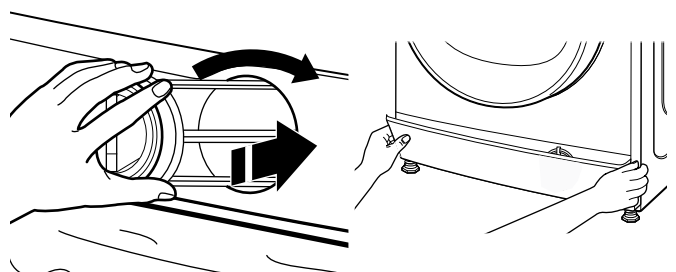
4. Lay a cotton cloth beneath the drain pump filter to absorb any water still in it. Then remove the drain pump filter by turning it counterclockwise.



5. Remove residue from the filter by rinsing with water.



6. Reinsert the drain pump filter by turning it clockwise. Make sure to turn it in as far as it will go, with the filter handle left in a vertical position. To test water tightness of the drain pump filter, pour about 1 liter of water into the detergent dispenser. Then reinstall the base panel.



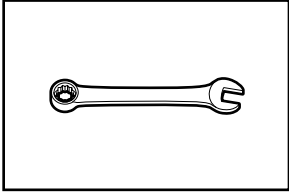
INSTALLATION INSTRUCTIONS

Installation Requirements

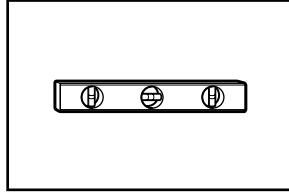
Tools and Parts

Gather required tools and parts before starting installation.

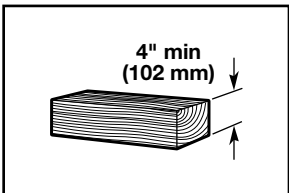
Tools needed:



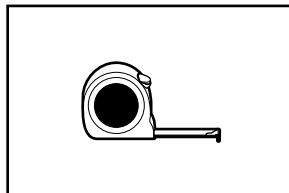
Adjustable or open-end wrenches 3/8" (10 mm) and 1/2" (13 mm)



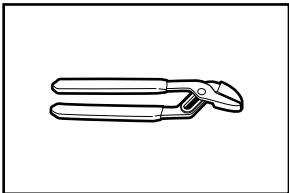
Level



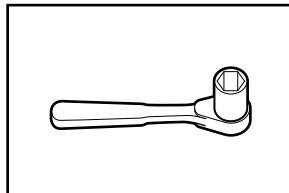
Wood block



Ruler or measuring tape



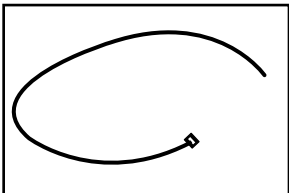
Pliers that open to 1 1/16" (39.5 mm)



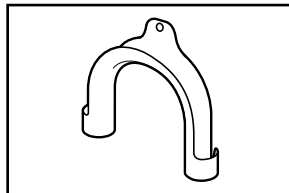
3/8" (10 mm) socket wrench

Parts supplied:

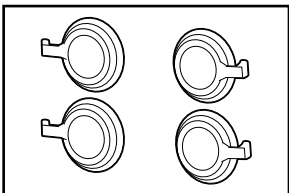
NOTE: All parts supplied for installation are in the washer drum. Inlet hoses and washers are not included.



Cable tie

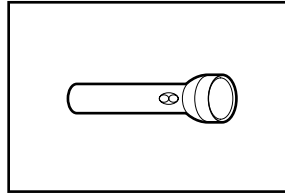


U-shaped hose form

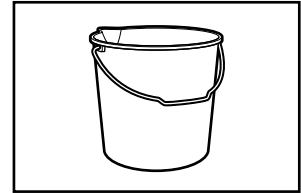


Transport bolt hole plugs (4)

Optional tools:



Flashlight



Bucket

Alternate parts: (Not supplied with washer)

Your installation may require additional parts. To order, please refer to toll-free numbers on the back page of this manual.

If you have:

Laundry tub or standpipe taller than 55" (1.4 m)

Overhead sewer

Floor drain system

Drain hose too short

Water faucet beyond reach of fill hose

You will need:

Sump pump system (if not already available)

Standard 20 gal. (76 L) 30" (762 mm) tall drain tub or utility sink, sump pump and connectors (available from local plumbing suppliers)

Siphon Break Kit
Part Number 285834
Connector Kit (x2)
Part Number 285835
Additional Drain Hose
Part Number 8318155

Extension Drain Hose
Part Number 285863
Connector Kit Part Number 285835

2 longer water fill hoses:
6 ft (1.8 m) Part Number 76314
10 ft (3.0 m) Part Number 350008

Available accessories:

- A Stack Kit is available to stack your washer and dryer.
- An optional matching pedestal is available to raise your washer to a more comfortable working height.

To order, call the dealer from whom you purchased your washer or refer to the "Assistance or Service" section.

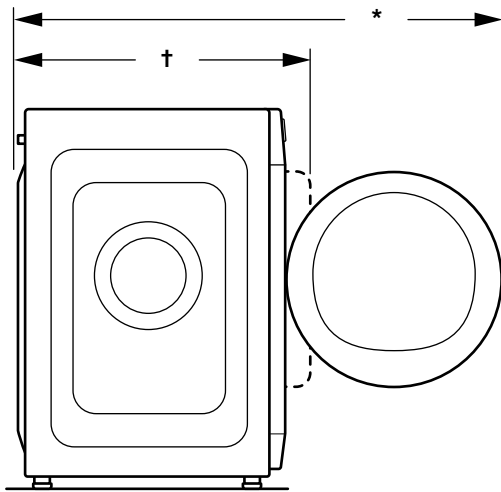
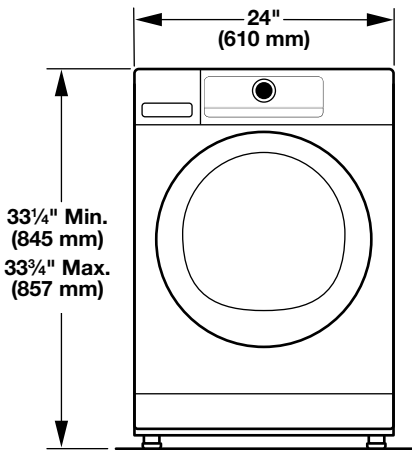
Location Requirements

Proper installation is your responsibility.

You will need:

- A grounded electrical outlet located within 5.4 ft (1.7 m) of power cord on back of washer.
- Water faucet located within 4 ft (1.2 m) of water fill valve on washer, and water pressure of 20–100 psi (137.9–689.6 kPa).
- A level floor with maximum slope of 1" (25 mm) under entire washer. Installing on carpet or surfaces with foam backing is not recommended.
- Floor must support washer's total weight (with water and load) of 400 lbs (180 kgs).

IMPORTANT: Do not install, store, or operate washer where it will be exposed to weather or in temperatures below 32°F (0°C). Water remaining in washer after use may cause damage in low temperatures. See "Washer Maintenance" for winterizing information.



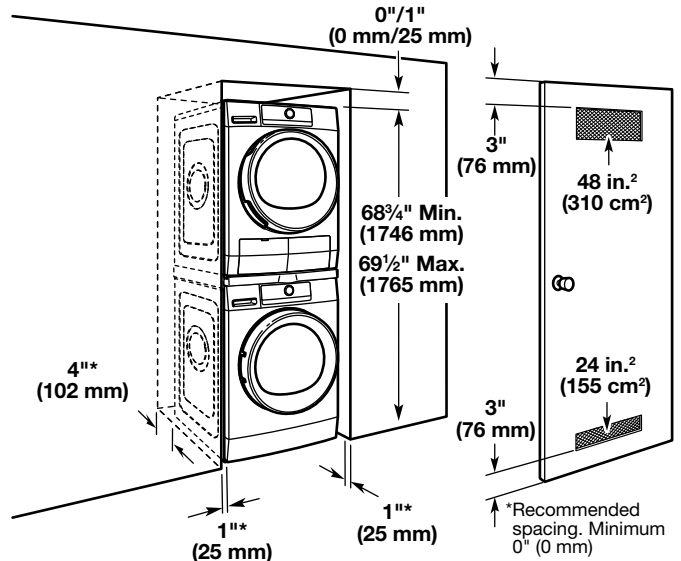
*2.3 cu. ft. models: 42¹/₈" (1091 mm)
1.9 cu. ft. models: 41¹/₈" (1057 mm)

†2.3 cu. ft. models: 25¹/₈" (638 mm)
1.9 cu. ft. models: 24" (610 mm)

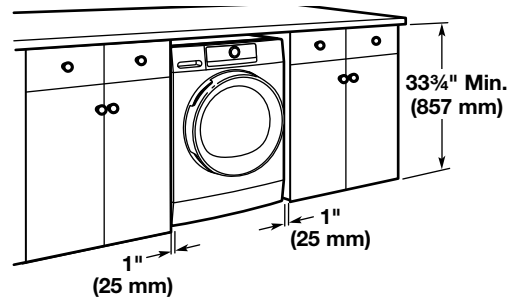
All dimensions show recommended spacing allowed, except for closet door ventilation openings which are the minimum required. For each arrangement, consider allowing more space for ease of installation and servicing, and spacing for companion appliances and clearances for walls, doors, and floor moldings.

Space must be large enough to allow door to fully open. Add spacing of 1" (25 mm) on all sides of washer to reduce noise transfer. If a closet door or louvered door is installed, top and bottom air openings in door are required.

Recessed area or closet installation (stacked washer and dryer):

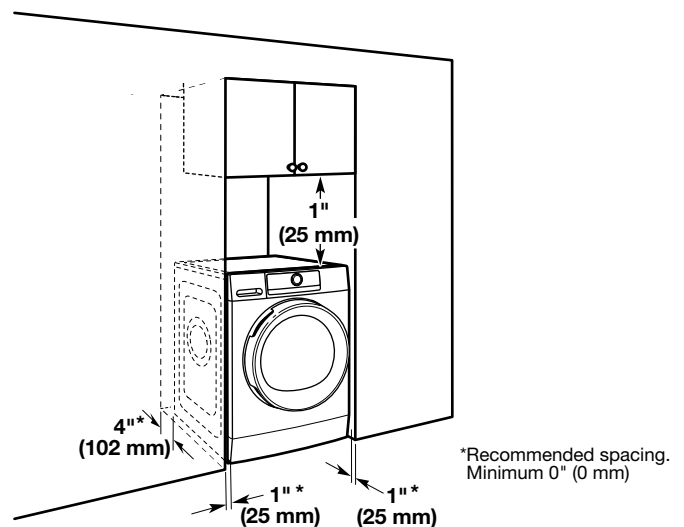


Custom under counter installation:



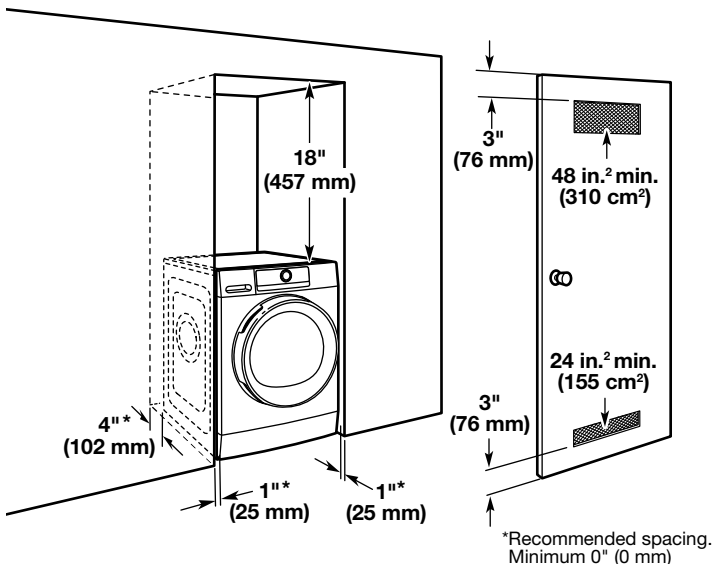
IMPORTANT: When installing under a counter with a dryer, refer to dryer installation instructions for space requirement.

Custom cabinet installation:



Location Requirements (cont.)

Closet installation (washer only):

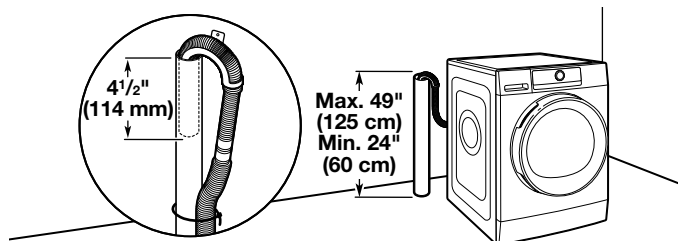


Drain System

Drain system can be installed using a floor drain, wall standpipe, floor standpipe, or laundry tub. Select method you need.

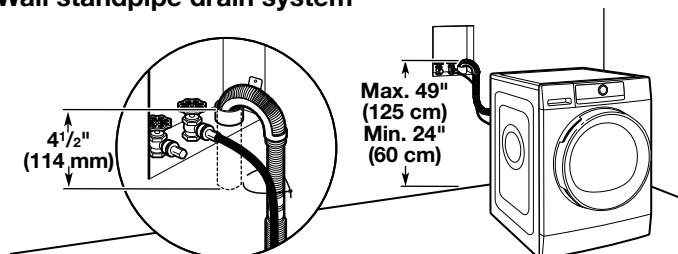
IMPORTANT: To avoid siphoning, only 4½" (114 mm) of drain hose should be inside standpipe. Always secure drain hose with cable tie.

Floor standpipe drain system



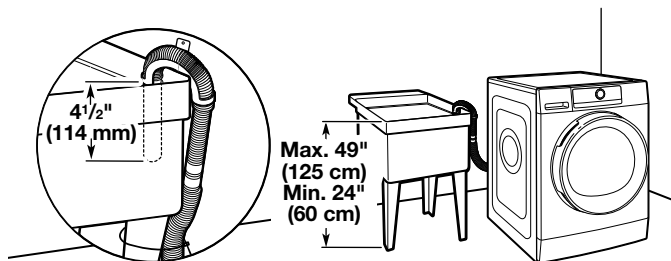
Minimum diameter for a standpipe drain: 2" (51 mm). Minimum carry-away capacity: 17 gal. (64 L) per minute. A 1/4" (6 mm) diameter to 1" (25 mm) diameter Standpipe Adapter Kit is available (Part Number 3363920). Top of standpipe must be at least 24" (60 cm) high; install no higher than 49" (125 cm) from bottom of washer. If you have an overhead sewer and need to pump higher than 96 inches, a sump pump and associated hardware are needed. See "Alternate Parts."

Wall standpipe drain system



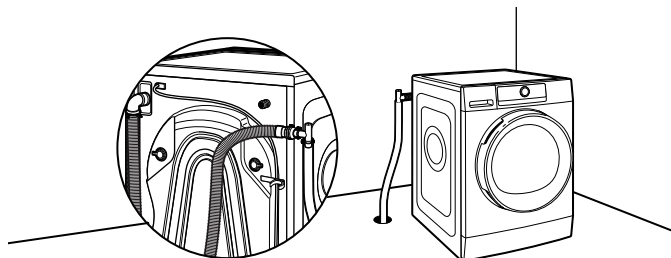
See requirements for floor standpipe drain system.

Laundry tub drain system



Minimum capacity: 20 gal. (76 L). Top of laundry tub must be at least 24" (60 cm) above floor; install no higher than 49" (125 cm) from bottom of washer.

Floor drain system



Floor drain system requires a Siphon Break Kit (Part Number 285834), two Connector Kits (Part Number 285835), and an Extension Drain Hose (Part Number 285863) that may be purchased separately. See "Alternate Parts." Minimum siphon break height: 28" (710 mm) from bottom of washer. (Additional hoses may be needed.)

Electrical Requirements

⚠ WARNING



Electrical Shock Hazard

Plug into a grounded 3 prong outlet.

Do not remove ground prong.

Do not use an adapter.

Do not use an extension cord.

Failure to follow these instructions can result in death, fire, or electrical shock.

- A 120-volt, 60 Hz., AC-only, 15- or 20-amp, fused electrical supply is required. A time-delay fuse or circuit breaker is recommended. It is recommended that a separate circuit breaker serving only this appliance be provided.
- This washer is equipped with a power supply cord having a 3 prong grounding plug.
- To minimize possible shock hazard, the cord must be plugged into a mating, 3 prong, grounding-type outlet, grounded in accordance with local codes and ordinances. If a mating outlet is not available, it is the personal responsibility and obligation of the customer to have the properly grounded outlet installed by a qualified electrician.
- If codes permit and a separate ground wire is used, it is recommended that a qualified electrician determine that the ground path is adequate.
- Do not ground to a gas pipe.
- Check with a qualified electrician if you are not sure the washer is properly grounded.
- Do not have a fuse in the neutral or ground circuit.

GROUNDING INSTRUCTIONS

For a grounded, cord-connected washer:

This washer must be grounded. In the event of a malfunction or breakdown, grounding will reduce the risk of electrical shock by providing a path of least resistance for electric current. This washer is equipped with a cord having an equipment-grounding conductor and a grounding plug. The plug must be plugged into an appropriate outlet that is properly installed and grounded in accordance with all local codes and ordinances.

WARNING: Improper connection of the equipment-grounding conductor can result in a risk of electric shock. Check with a qualified electrician or serviceman if you are in doubt as to whether the appliance is properly grounded.

Do not modify the plug provided with the appliance – if it will not fit the outlet, have a proper outlet installed by a qualified electrician.

For a permanently connected washer:

This washer must be connected to a grounded metal, permanent wiring system, or an equipment grounding conductor must be run with the circuit conductors and connected to the equipment-grounding terminal or lead on the appliance.

Installation Instructions

⚠ WARNING

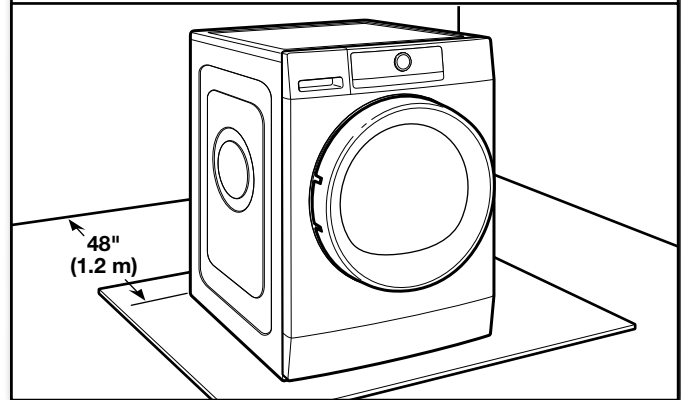
Excessive Weight Hazard

Use two or more people to move and install washer.

Failure to do so can result in back or other injury.

NOTE: To avoid floor damage, set washer onto cardboard before moving it.

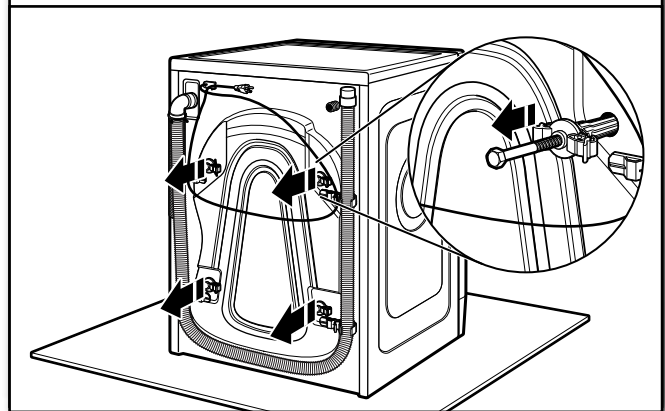
1. Move washer



It is necessary to remove all shipping materials for proper operation and to avoid excessive noise from washer.

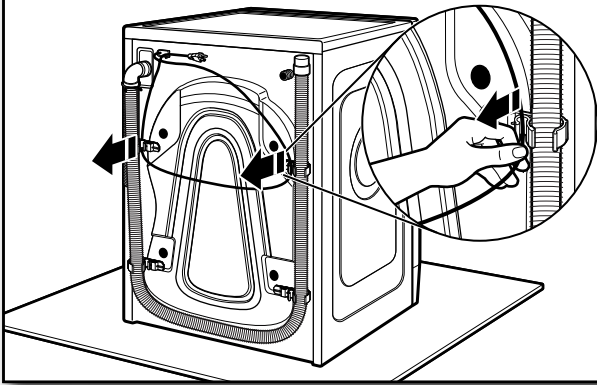
Move washer to within 48" (1.2 m) of its final location. It must be in a fully upright position.

2. Remove transport bolts from washer



Loosen bolts with a 3/8" (10 mm) wrench. Once the bolt is loose, wiggle and completely pull out the bolt and shipping plug.

3. Remove power cord from clips

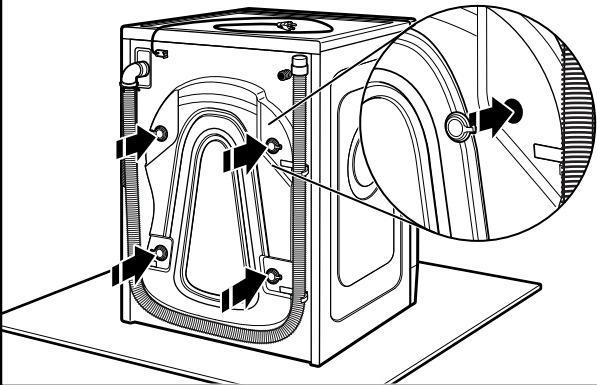


Remove power cord from clips and place over top of washer to allow free access to back of washer.

NOTE: If washer is transported at later date, call your local service center. To avoid suspension and structural damage, a certified technician must properly set up washer for relocation.

IMPORTANT: Do not plug washer in until installation has been completed.

4. Cover bolt holes with transport bolt hole plugs

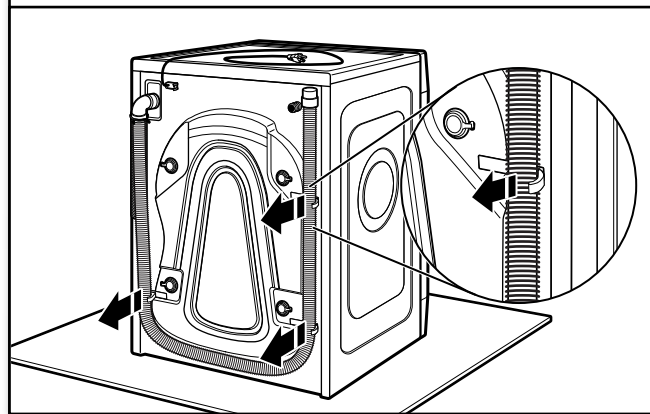


Close bolt holes on cabinet back with four transport bolt hole plugs included with washer parts.

Route Drain Hose

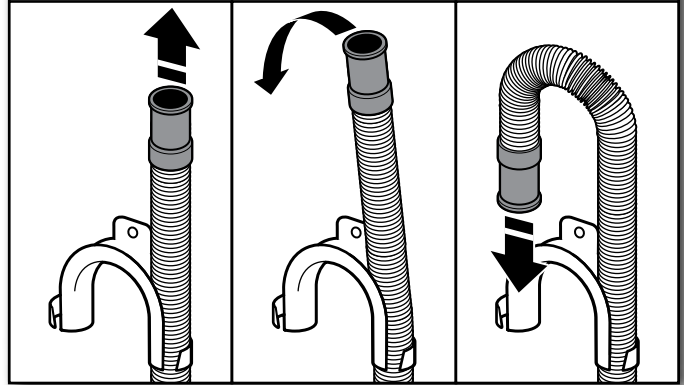
Proper routing of the drain hose protects your floor from damage due to water leakage. Read and follow these instructions.

5. Remove drain hose from washer



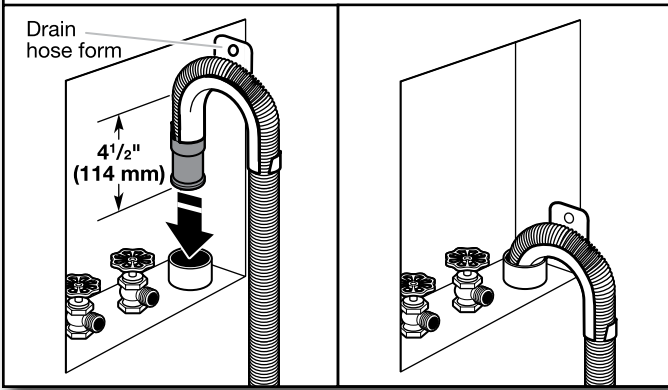
Gently pull the corrugated drain hose from the shipping clips.

6. Connect laundry tub drain or standpipe drain hose form (floor drain installations only)



For floor drain installations, you will need to connect the drain hose form to the end of the drain hose. You may need additional parts with separate directions. See "Alternate Parts."

7. Place drain hose in standpipe



Place hose into standpipe (shown in picture) or over side of laundry tub.

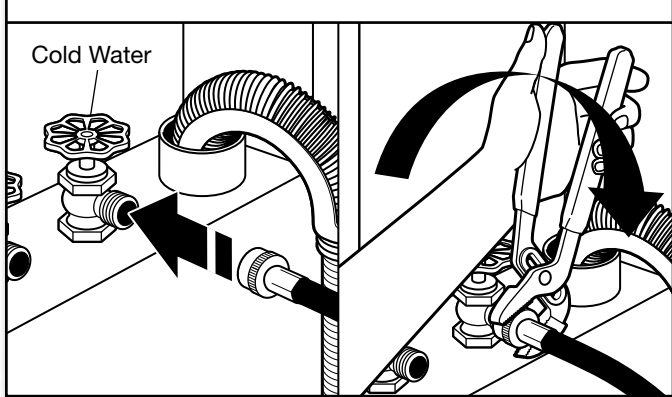
IMPORTANT: Only 4½" (114 mm) of drain hose should be inside standpipe; do not force excess hose into standpipe or lay on bottom of laundry tub. Drain hose form must be used.

Connect Inlet Hose

Washer must be connected to the cold water faucet with a new inlet hose with a flat washer. Do not use the old hose.

NOTE: Hose must be attached and have water flowing to inlet valve.

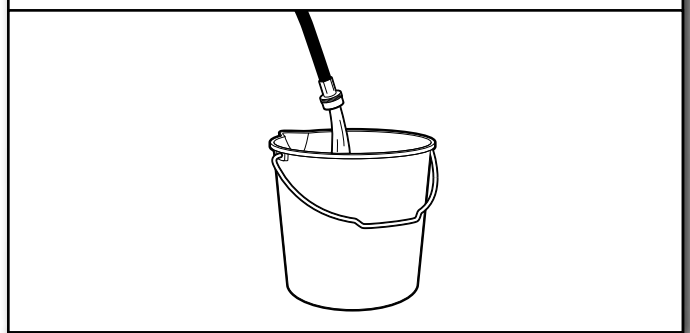
8. Connect inlet hose to water faucet



Attach hose to cold water faucet. Screw on coupling by hand until it is seated on washer. Use pliers to tighten couplings an additional two-thirds turn.

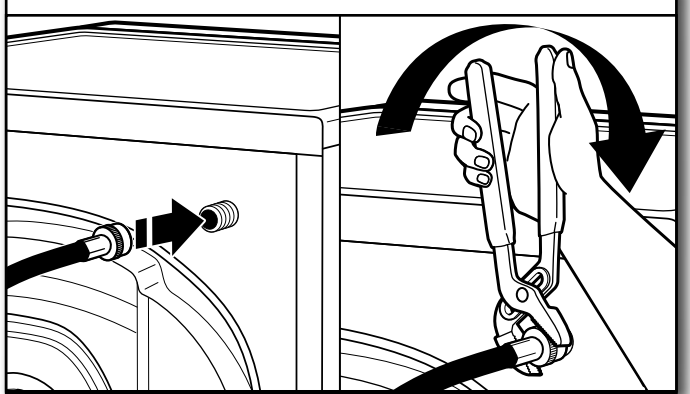
IMPORTANT: Do not overtighten or use tape or sealants on valve when attaching to faucet or washer. Damage can result.

9. Clear water line



Run water for a few seconds through hose into a laundry tub, drainpipe, or bucket to avoid clogs. Water should run until clear.

10. Connect inlet hose to washer

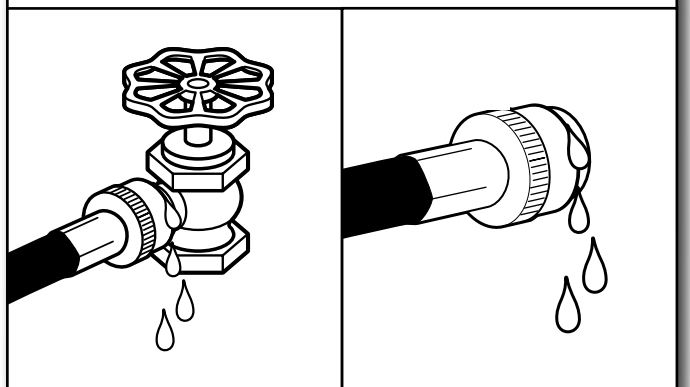


Attach water hose to water inlet valve. Screw coupling by hand until it is snug. Use pliers to tighten coupling an additional two-thirds turn.

IMPORTANT: To reduce risk of hose failure, replace the hose every 5 years. Record hose installation or replacement dates for future reference.

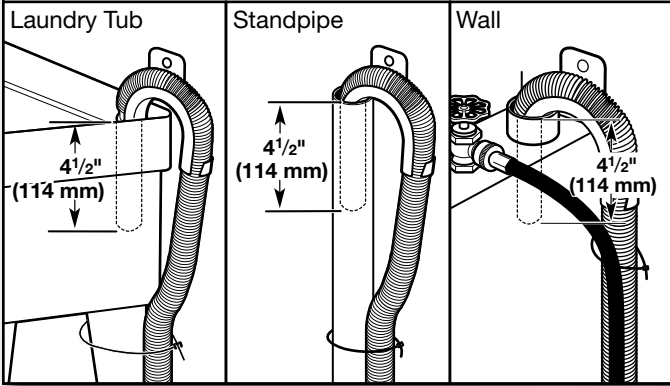
- Periodically inspect and replace hose if bulges, kinks, cuts, wear, or leaks are found.

11. Check for leaks



Slowly turn on water faucet to check for leaks. A small amount of water may enter washer. It will drain later.

12. Secure drain hose

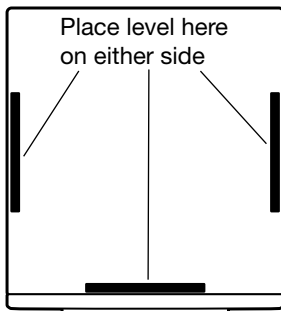


Secure drain hose to laundry tub leg, drain standpipe, or inlet hose for wall standpipe with cable tie.

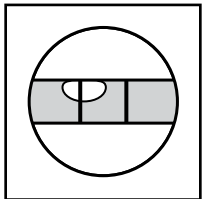
Level Washer

Leveling your washer properly reduces excess noise and vibration.

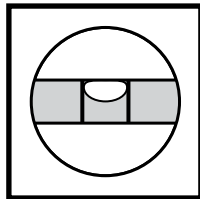
13. Check levelness of washer



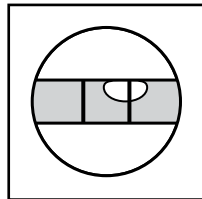
Remove cardboard from beneath washer. Place a level on top edges of washer, checking each side and front. If not level, tip washer and adjust feet up or down as shown in steps 15 and 16, repeating as necessary.



Not Level

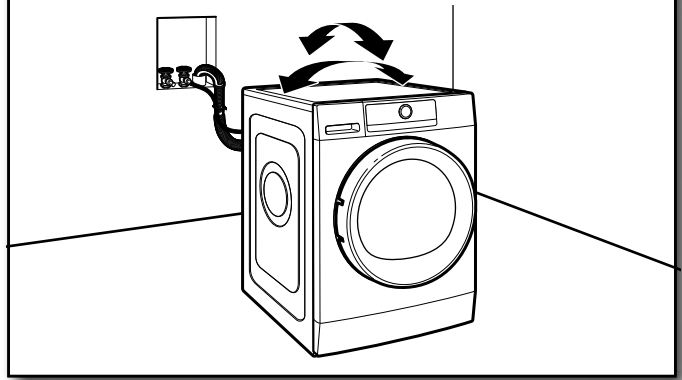


LEVEL



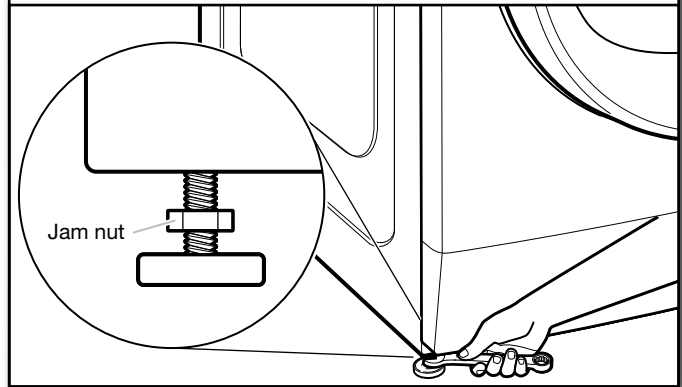
Not Level

14. Rock washer to test foot contact



Grip washer from top and rock back and forth, making sure all four feet are firmly on floor. Repeat, rocking washer from side to side. If washer rocks, go to Step 15 and adjust leveling feet. If all four feet are in firm contact with floor, go to Step 17.

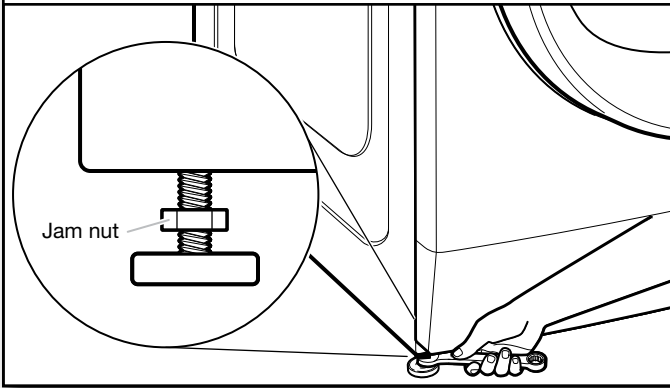
15. Adjust leveling feet



If washer is not level, use a 1/2" (13 mm) open-end or adjustable wrench to turn jam nuts clockwise on feet until they are about 1/2" (13 mm) from the washer cabinet. Then turn the leveling foot clockwise to lower the washer or counterclockwise to raise the washer. Recheck levelness of washer and that all four feet are firmly in contact with the floor. Repeat as needed.

HELPFUL TIP: You may want to prop up front of washer about 4" (102 mm) with a wood block or similar object that will support weight of washer.

16. Tighten leveling feet



When washer is level and all four feet are firmly in contact with the floor, use a 1/2" (13 mm) open-end or adjustable wrench to turn jam nuts counterclockwise on leveling feet tightly against washer cabinet.

HELPFUL TIP: You may want to prop washer with wooden block.

⚠ WARNING



Electrical Shock Hazard

Plug into a grounded 3 prong outlet.

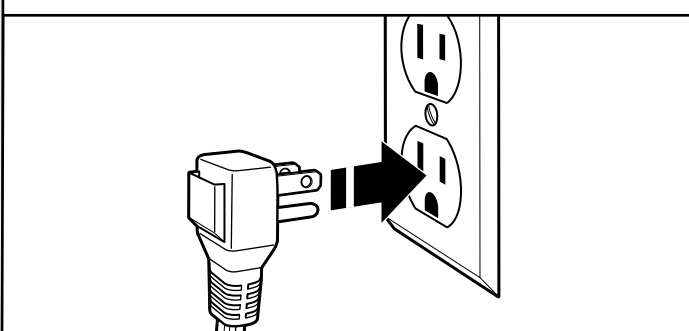
Do not remove ground prong.

Do not use an adapter.

Do not use an extension cord.

Failure to follow these instructions can result in death, fire, or electrical shock.

17. Plug into a grounded 3 prong outlet






Complete Installation Checklist

- Check electrical requirements. Be sure you have correct electrical supply and recommended grounding method.
- Check that all parts are now installed. If there is an extra part, go back through steps to see what was skipped.
- Check that you have all of your tools.
- Check that transport bolts were completely removed from back of washer.
- Check that hose is attached and water faucet is on.
- Check for leaks around faucet, valve, and inlet hose.
- Remove any tape remaining on washer.
- Check that washer is plugged into a grounded 3 prong outlet.
- Dispose of/recycle all packaging materials.
- Read "Using Your Washer."
- To test and clean your washer, turn on the washer and choose the Normal cycle and run it without clothes. Use only HE detergent. Use 1/2 the manufacturer's recommended amount for a medium-size load.




TROUBLESHOOTING

First try the solutions suggested here or visit our website at www.whirlpool.com/product_help –
In Canada www.whirlpool.ca for assistance and to possibly avoid a service call.

If you experience	Possible Causes	Solution
Error Code Appears in Display		
Once any possible issues are corrected, touch the POWER button once to clear the code. Re-select and restart the cycle.		
 (Water tap closed)	No or not sufficient water supply because: <ul style="list-style-type: none"> ■ Water faucet is closed. ■ There are kinks in inlet hose. ■ Water faucet pressure is too low. ■ Mesh filters in inlet hose are clogged. ■ Water inlet hose is frozen up. 	Open the water faucet. Make sure there are no kinks in the inlet hose. Make sure water pressure is sufficient. Clean the mesh filters in the inlet hose. Install the washer at an ambient temperature of at least 41°F (5°C). After the problem has been corrected, touch the START/PAUSE button. If the problem persists, touch and hold the POWER button for at least 3 seconds.
 (Clean filter)	Waste water is not pumped out because: <ul style="list-style-type: none"> ■ There are kinks in drain hose. ■ Drain hose is blocked or frozen up. ■ Filter is blocked. ■ Pump is blocked. 	Check the drain hose for kinks. Install the washer at an ambient temperature of at least 41°F (5°C). Clean the drain pump filter as described in the “Cleaning the Drain Pump Filter/Draining Residual Water” section. After the problem has been corrected, touch the START/PAUSE button. If the problem persists, touch and hold the POWER button for at least 3 seconds.
 (Door open indicator blinks)	The door cannot lock.	Firmly press the door in the area of the door lock to properly close it. Then touch the START/PAUSE button. If the problem persists, touch and hold the POWER button for at least 3 seconds.
FdL (or F29)	The door cannot unlock.	Firmly press the door in the area of the door lock. Then touch and hold the POWER button for at least 3 seconds. If the Hot cycle is selected, wait until cool down and touch and hold the POWER button again for at least 3 seconds. Turn on the washer. If the failure still appears, check and eventually correct the possible cause as indicated for the “Clean filter” error code. Then turn on the washer again. If the door does not unlock, touch and hold the POWER button for at least 3 seconds. If the door still does not unlock, refer to the “How to Open Door in Case of Failure” section. Before draining water/ opening the door, wait until the water has cooled down (for hot wash programs).
Fod	Excessive foam formation (maybe by overdosage of detergent) interrupted the program/cycle. This interruption may be repeated several times until foam is adequately reduced.	Start the Rinse & Spin program, with the Intensive Rinse option. Follow the detergent manufacturer’s dosing recommendations. Use the Dosing Aid option. Make sure the drain pump filter is clean.

TROUBLESHOOTING

First try the solutions suggested here or visit our website at www.whirlpool.com/product_help –
In Canada www.whirlpool.ca for assistance and to possibly avoid a service call.

If you experience	Possible Causes	Solution
Error Code Appears in Display (cont.)		
 (service) F20 or F60	Failure of an electronic component.	Turn off and unplug the washer. Close the water faucet. See the “Assistance or Service” section to contact a service representative.
 (service) F24	Too much laundry for a program/cycle with a small maximum load.	Select and start the Rinse & Spin program to complete the interrupted wash program/cycle. Do not overload the washer. Follow the maximum load size indicated in the “Program/ Cycle Guide” section.
	Too much inlet water.	Turn off the water faucet. Touch and hold the POWER button for at least 3 seconds to drain the water; wait until the drain phase has ended (“End” will appear on the display). Turn on the water faucet again. If water immediately flows into the washer without a program/cycle being started, an electrical component has failed. Close the water faucet, turn off and unplug the washer. See the “Assistance or Service” section to contact a service representative.
 (service) All other F. failures	Failure of an electrical component.	Touch and hold the POWER button for at least 3 seconds to reset the control. If the problem persists, turn off and unplug the washer. Close the water faucet. See the “Assistance or Service” section to contact a service representative.

TROUBLESHOOTING

First try the solutions suggested here or visit our website at www.whirlpool.com/product_help –
In Canada www.whirlpool.ca for assistance and to possibly avoid a service call.

If you experience	Possible Causes	Solution
Vibration or Off-Balance		
Vibration, rocking, or “walking”	Feet may not be in contact with the floor and locked.	Front and rear feet must be in firm contact with floor, and washer must be level to operate properly. Jam nuts must be tight against the bottom of the cabinet.
	Washer may not be level.	Check floor for flexing or sagging. If flooring is uneven, a 3/4" (19 mm) piece of plywood under your washer will reduce sound. Do not install washer on a raised wooden platform. See “Level the Washer” in “Installation Instructions.”
	Load could be unbalanced or too large.	Avoid tightly packing the load. Avoid washing single items. Balance a single item such as a rug or jeans jacket with a few extra items. Item or load not suitable for selected cycle. See “Cycle Guide” and “Using Your Washer.”
	The shipping bolts are still in the back of the washer.	See “Remove transport bolts from washer” in “Installation Instructions.”
Noises		
Clicking or metallic noises	Door locking or unlocking.	The door will lock unlock and lock again. You will hear three clicks after touching and holding the Start/Pause button. This is normal.
	Objects caught in washer drain system.	Empty pockets before washing. Loose items such as coins could fall between washer drum and tub or may block pump. It may be necessary to call for service to remove items. It is normal to hear metal items on clothing such as metal snaps, buckles, or zippers touch against the stainless steel drum.
Gurgling or humming	Washer may be draining water.	The pump may make a humming sound with periodic gurgling or surging as final amounts of water are removed during the spin/drain cycles. This is normal at certain stages of the cycle.
Rolling or sloshing and occasional clicking (on low-speed spin)	Steel balls in the balancing system are balancing the load.	This is normal at certain stages of the cycle.
Water Leaks		
Check the following for proper installation	Fill hose not attached tightly.	Tighten fill-hose connection.
	Fill hose washer.	Properly seat both fill-hose flat washers.
	Drain hose connection.	Check that the drain hose is properly secured to drainpipe or laundry tub.
	Check household plumbing for leaks or clogged sink or drain.	Water can back up out of a clogged sink or drainpipe. Check all household plumbing for leaks (laundry tubs, drain pipe, water pipes, and faucet.)
	Strainer (or nylon stocking) on end of drain hose is clogged.	Remove strainer/stocking from drain hose.

TROUBLESHOOTING

First try the solutions suggested here or visit our website at www.whirlpool.com/product_help –
In Canada www.whirlpool.ca for assistance and to possibly avoid a service call.

If you experience	Possible Causes	Solution
Water Leaks (cont.)		
Water or suds leaking from door or rear of cabinet	Not using HE detergent or using too much HE detergent.	Only use HE detergent. Suds from regular detergents can cause leaking from the door or rear of cabinet. Always measure detergent and follow manufacturer's directions based on your load requirements.
	Residue on door glass.	Periodically clean the underside of the glass window to avoid potential leaks.
Leaking around door	Hair, lint, or other debris on inner door glass preventing proper seal with rubber door seal.	Clean inner door glass and seal. See "Cleaning the Door Seal" in the "Washer Maintenance" section.
Washer not performing as expected		
Load not completely covered in water	Water level not visible on door or does not cover clothes.	This is normal for an HE front-load washer. The washer senses load sizes and adds the correct amount of water for optimal cleaning.
Washer won't run or fill; washer stops working	Check for proper water supply.	Hose must be attached and have water flowing to the inlet valve.
		Water faucet must be turned on.
		Check that inlet valve screen has not become clogged.
		Check for any kinks in inlet hose, which can restrict water flow.

⚠ WARNING



Electrical Shock Hazard

Plug into a grounded 3 prong outlet.

Do not remove ground prong.

Do not use an adapter.

Do not use an extension cord.

Failure to follow these instructions can result in death, fire, or electrical shock.

Washer won't run or fill; washer stops working (cont.)	Check proper electrical supply.	Plug power cord into a grounded 3 prong outlet.
		Do not use an extension cord.
		Ensure there is power to outlet.
		Do not plug into a GFI (Ground Fault Circuit Interrupter).
		Check electrical source or call an electrician to check if voltage is low.
		Reset a tripped circuit breaker. Replace any blown fuses. NOTE: If problems continue, contact an electrician.

TROUBLESHOOTING

First try the solutions suggested here or visit our website at www.whirlpool.com/product_help –
In Canada www.whirlpool.ca for assistance and to possibly avoid a service call.

If you experience	Possible Causes	Solution
Washer not performing as expected (cont.)		
Washer won't run or fill; washer stops working (cont.)	Normal washer operation.	Door must be completely closed and latched for washer to run.
		Washer will pause during certain phases of cycle. Do not interrupt cycle.
		The washer pauses for about 2 minutes during certain cycles. Allow the cycle to continue. Some cycles feature periods of tumbling and soak.
		Washer may be stopped to reduce suds. Use only a proper amount of HE detergent.
		Cold Wash uses less water in the beginning of the cycle to provide a high concentration of detergent for optimal cleaning action. Following this concentrated tumbling, more water is used to complete the wash.
	The washer door is not firmly shut.	The door must be closed during operation.
	Washer not loaded as recommended.	Remove several items, rearrange load evenly in washer drum. Close door and touch and hold the START/PAUSE button.
		Do not add more than one or two additional items after cycle has started to avoid tightly packing or unbalancing.
		Do not add more water to the washer.
	Not using HE detergent or using too much HE detergent.	Only use HE detergent. Suds from regular detergents can slow or stop the washer. Always measure detergent, following manufacturer's directions based on your load requirements.
To remove suds, cancel cycle. Select Rinse & Spin. Touch the START/PAUSE button. Do not add more detergent.		
Door not opened between cycles.	After any wash cycle is completed, the door must be opened and then closed before a new cycle can begin.	
Washer stops during the program/cycle and the Start/Pause indicator blinks	It is the end of the program/cycle and Rinse Hold is activated.	Turn the knob to a spin speed, if desired; otherwise, rinse water will be drained and the program/cycle ended.
	The program/cycle was interrupted (for example by the door being opened).	Make sure the door is closed. Touch the START/PAUSE button to continue with the program/cycle.
	The safety system has been activated. A failure indicator will light up and/or the display will show a failure code.	Refer to "Error Codes" at the beginning of "Troubleshooting."
	Water faucet is closed.	Make sure the water faucet is open and that there are no kinks in the inlet hose.
Washer not draining/spinning; loads are still wet	Drain hose extends into standpipe farther than 4.5" (114 mm).	Check drain hose for proper installation. Use drain hose form and securely attach to drainpipe or tub. Do not tape over drain opening.
	The drain hose is clogged, or the end of the drain hose is more than 49" (1.3 m) above the floor.	Lower drain hose if the end is higher than 49" (1.3 m) above the floor. Remove any clogs from drain hose. See "Installation Requirements" in "Installation Instructions."
	Strainer/stocking on end of drain hose.	Remove strainer/stocking from drain hose.
	The drain hose fits too tightly in the standpipe or is taped to the standpipe.	The drain hose should be loose, yet fit securely. Do not seal the drain hose with tape. The hose needs an air gap. See "Route Drain Hose" in "Installation Instructions."

TROUBLESHOOTING

First try the solutions suggested here or visit our website at www.whirlpool.com/product_help –
In Canada www.whirlpool.ca for assistance and to possibly avoid a service call.

If you experience	Possible Causes	Solution
Washer not performing as expected (cont.)		
Washer not draining/spinning; loads are still wet (cont)	Using cycles with a lower spin speed.	Cycles with lower spin speeds remove less water than cycles with high spin speeds. Use the recommended cycle/spin speed for your garment.
	Washer not loaded as recommended.	A tightly packed or unbalanced load may not allow the washer to spin correctly, leaving the load wetter than normal. See “Cycle Guide” for load size recommendation for each cycle.
	The load may be out of balance.	Avoid washing single items. Balance a single item such as a rug or jeans jacket with a few extra items.
	Not using HE detergent or using too much HE detergent.	Use only HE detergent. Suds from regular detergent or using too much detergent can slow or stop draining or spinning. Always measure and follow manufacturer’s directions for your load. To remove extra suds, select Rinse & Spin. Do not add detergent.
	Small items may have been caught in the pump or stuck between the washer drum and the outer tub.	Check the drum for any items sticking through the drum holes. Empty pockets and use garment bags when washing small items.
Washer vibrates during spinning	Transport bolts have not been removed.	Remove transport bolts (see “Installation Instructions”).
	Washer is not level.	Adjust leveling feet (see “Installation Instructions”). Make sure washer stands on a level and firm surface.
Spin speed “0” blinks on the control panel and/or laundry is still very wet	An unbalanced load prevented the Spin cycle to avoid damage to the washer.	To spin wet laundry, add more laundry items of different sizes and start the Rinse & Spin program. Avoid small laundry loads consisting of a few large, absorbent items and wash different-sized items in one load.
Spin results are poor	Spin button was set to a low speed.	Set a higher spin speed.
	An unbalanced load prevented the Spin cycle.	See the solution for “Spin speed “0” blinks.”
	Excessive foam formation prevented spinning.	Start the Rinse & Spin” program. Avoid excessive amount of detergent; use the Dosing Aid option.
Door locked at end of wash cycle	Water remaining in washer after cycle.	Select Rinse & Spin to remove any water remaining in the washer. The washer door will unlock at the end of the drain.
	TumbleFresh™ option is on.	While this option is on, the load is tumbled periodically for up to 6 hours. The door remains locked during this time. To unlock the door, cancel the TumbleFresh™ option by touching the POWER button.
Door will not unlock	Water did not completely drain out of washer during the spin.	Select Rinse & Spin to remove any water remaining in the washer. The washer door will unlock at the end of the drain. It will take 1 minute for the door to unlock.
	Error code is displayed.	Failure mode will lock the door. Touch the START/PAUSE button to exit; then wait for the door to unlock.
	Water temperature is hotter than 104°F (40°C).	Wait for the water temperature to drop.
Incorrect or wrong wash or rinse temperatures	Check for proper water supply.	Hose must be attached to both washer and faucet, and have water flowing to inlet valve.
		Check that inlet valve screen is not clogged.
	Remove any kinks in hose.	
Desired setting or option does not light	Washing many loads.	Your hot water tank may not have enough hot water to keep up with the number of hot or warm washes. This is normal.
	For best performance, not all settings are available with each cycle, and some options cannot be used together.	See the “Program/Cycle Guide” for the available settings and options for each cycle.

TROUBLESHOOTING

First try the solutions suggested here or visit our website at www.whirlpool.com/product_help –
In Canada www.whirlpool.ca for assistance and to possibly avoid a service call.

If you experience	Possible Causes	Solution	
Washer not performing as expected (cont.)			
Load not rinsed	Check for proper water supply.	Hose must be attached and have water flowing to the inlet valve.	
		Water faucet must be on.	
		Inlet valve screen on washer may be clogged.	
		Remove any kinks in the inlet hose.	
	Not using HE detergent or using too much HE detergent.	The suds from non-HE detergent can cause the washer to operate incorrectly.	
	Washer not loaded as recommended.	Use only HE detergent. Always measure detergent and follow manufacturer's directions based on load size and soil level.	Avoid tightly packing the washer. The washer will not rinse well if tightly packed. Load with dry items only. See "Cycle Guide" for load size recommendations for each cycle.
			Use cycle designed for the fabrics being washed.
			Add only one or two garments after washer has started.
The load may be out of balance.	When load unbalance occurs, a washing process will start to redistribute the load. This may lengthen the cycle time. Avoid washing single items. Balance a single item such as a rug or jeans jacket with a few extra items.		
Load is wrinkled, twisted, or tangled	Washer not loaded as recommended.	Add load loosely. Items need to move freely reduce wrinkling and tangling. See "Cycle Guide" for load size recommendations for each cycle.	
		Reduce tangling by mixing types of load items. Use the recommended cycle for the type of garments being washed.	
	Spin speed too high for load.	Select a lower spin speed. Note that items will be wetter than when using a higher spin speed.	
	The washer is not unloaded promptly.	Unload the washer as soon as it stops or use the TumbleFresh™ option if you will not be able to unload the washer at the end of the cycle.	
	Not choosing the right cycle for the load being washed.	Use the Delicates cycle or another cycle with a low spin speed to reduce wrinkling.	
	The wash water was not warm enough to relax wrinkles.	If safe for load, use warm or hot wash water.	
Not cleaning or removing stains	Washer not loaded as recommended.	Add load loosely. Items need to move freely for best cleaning. See "Cycle Guide" for load size recommendations for each cycle.	
		Add only one or two garments after washer has started.	
	Not using HE detergent or using too much HE detergent.	Use only HE detergent. Always measure detergent and follow manufacturer's directions based on load size and soil level.	
	Hard water or high level of iron (rust) in water.	You may need to install a water softener and/or iron filter.	
	Fabric softener dispensing ball used.	Dispensing balls will not operate correctly with this washer. Add liquid fabric softener to the fabric softener compartment.	
	Powdered detergent used for low-speed cycle.	Consider using liquid detergent.	

TROUBLESHOOTING

First try the solutions suggested here or visit our website at www.whirlpool.com/product_help –
In Canada www.whirlpool.ca for assistance and to possibly avoid a service call.

If you experience	Possible Causes	Solution
Washer not performing as expected (cont.)		
Not cleaning or removing stains (cont.)	Not using correct cycle for fabric type.	Use a warmer wash temperature to improve cleaning.
		If using Quick Wash cycle, wash only a few items.
		Use Heavy Duty cycle for tough cleaning.
		Add an extra rinse for heavily soiled loads.
	Not using dispensers.	Use dispensers to avoid fabric softener staining.
		Load dispensers before starting a cycle.
Avoid overfilling.		
Do not add products other than those specified directly to load.		
Not washing like colors together.	Wash like colors together and remove promptly after the cycle is complete to avoid dye transfer.	
Not enough detergent used, or hard water.	Use more detergent for washing heavy soils in cold or hard water.	
Odors	Monthly maintenance not done as recommended.	Run the Clean Washer with affresh® cycle monthly or every 30 wash cycles. See “Washer Care” in “Washer Maintenance.”
		Unload washer as soon as cycle is complete. Use the TumbleFresh™ option if load cannot be removed immediately after the wash is complete.
	Not using HE detergent or using too much HE detergent.	Use only HE detergent. Be sure to measure correctly. Always follow the manufacturer’s directions.
		See the “Using Your Washer” section.
Door not left open after use.	This washer has a tight seal to avoid water leaks. To avoid odors, leave the door open to allow the washer to dry between uses.	
Fabric damage	Sharp items were in pockets during wash cycle.	Empty pockets, zip zippers, and snap or hook fasteners before washing to avoid snags and tears.
	Strings and straps could have tangled.	Tie all strings and straps before starting wash load.
	Items may have been damaged before washing.	Mend rips and broken threads in seams before washing.
	Fabric damage can occur if washer is tightly packed.	Avoid tightly packing the washer. Load with dry items only.
		Use cycle designed for the fabrics being washed.
		Add only one or two garments after washer has started.
	Fabric damage can occur if washer door is closed on an item, trapping it between the door glass and the rubber seal.	Do not overfill the washer.
		Push wash load fully into the washer.

TROUBLESHOOTING

First try the solutions suggested here or visit our website at www.whirlpool.com/product_help –
In Canada www.whirlpool.ca for assistance and to possibly avoid a service call.

If you experience	Possible Causes	Solution
Washer not performing as expected (cont.)		
Gray whites, dingy colors	Load not sorted properly.	The transfer of dye can occur when mixing whites and colors in a load. Sort dark clothes from whites and lights.
	Wash temperatures too low.	Use hot or warm temperatures if safe for the load. Make sure your hot water system is adequate to provide a hot water wash.
	Not enough detergent used, or hard water.	Use more detergent for washing heavy soils in cold or hard water.
Incorrect dispenser operation	Clogged dispensers or laundry products dispensing too soon.	Do not overfill dispenser. Overfilling causes immediate dispensing.
		Load dispensers before starting a cycle.
		Homes with low water pressure may result in residual powder in the dispenser. To avoid, select a warmer wash temperature if possible, depending on your load.
	Water in dispenser after cycle has finished.	It is normal for small amounts of water to remain in dispenser at the end of the cycle.
Detergent dispenser contains detergent residue after program ends	Inlet water pressure is too low; the mesh filter of the water supply hose may be blocked.	Make sure the water faucet is properly opened. Check the mesh filters of the inlet hose and clean if necessary.
Single-dose laundry packet not dissolving	Adding laundry packet incorrectly.	Be sure laundry packet is added to washer drum before adding clothes. Do not add packet to dispenser. Follow the manufacturer's instructions to avoid damage to your garments.
Cycle time changes or cycle time too long	Normal washer operation.	The cycle times vary automatically based on your water pressure, water temperature, detergent, and clothes load. The options you select will also affect the cycle times.
	Excessive suds in washer.	When excessive suds are detected, a special suds routine automatically starts to remove extra suds and ensure proper rinsing of your garments. This routine will add time to the original cycle.
	Load may be out of balance.	When load unbalance occurs, a washing process will start to redistribute the load. This extends the cycle time. Avoid washing single items. Balance a single item such as a rug or jeans jacket with a few extra items.
	Not using correct cycle for load type.	The Quick Wash cycle is designed for smaller load sizes (2–4 items) of lightly soiled garments. If larger loads are washed in this cycle, cycle time will be increased.
When using the Quick Wash or Delicates cycles, you should wash small loads. This ensures a gentle wash for your garments without increasing cycle times.		
Liquid detergent on door glass prior to beginning of cycle	Detergent is free to flow from the single-dose dispenser.	Do not add liquid detergent until laundry is loaded.

⚠ WARNING



Electrical Shock Hazard

Disconnect power before servicing.

Replace all parts and panels before operating.

Failure to do so can result in death or electrical shock.

HOW TO OPEN DOOR IN CASE OF POWER FAILURE

Before opening the door as described below, refer to the failure “Door will not unlock” in the “Troubleshooting” section. The door may unlock by itself after the failure condition no longer exists; however, if you want to take out your laundry immediately, first try to unlock the door as described in Error Code FdL or F29 in the “Troubleshooting” section.

If the door still cannot be opened, perform the following:

Before Opening Door:

- Turn off and unplug the washer.
- Close the water faucet.
- Wait until the drum has stopped rotating – never open the door while the drum is in motion.
- Wait until water and laundry have cooled down when washing with high temperatures.

Always drain the water before opening the door either by:

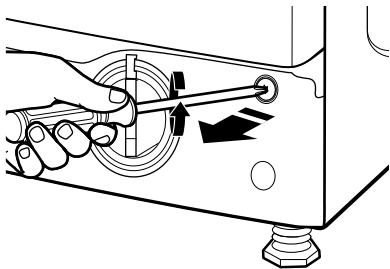
- Touching and holding the Power button until “rES” appears on the display.

or

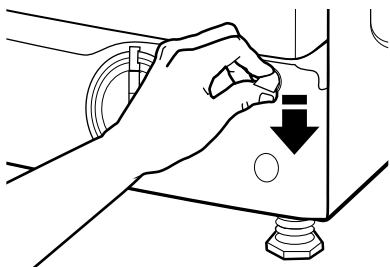
- Following the instructions in the “Cleaning the Drain Pump Filter/Draining Residual Water” section.

To Open Door:

1. Remove the screw.

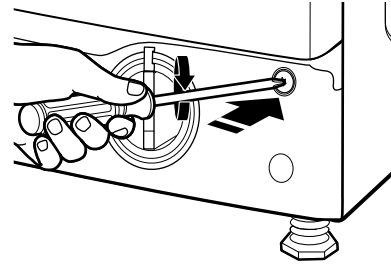


2. Pull down on the strap marked “Door open.” The door can now be opened and the laundry removed.

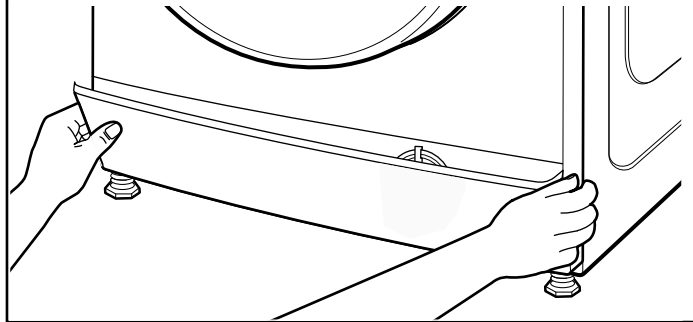


HOW TO OPEN DOOR IN CASE OF POWER FAILURE (cont.)

3. After removing laundry, replace the strap by firmly turning the screw.



4. Reinstall the base panel.



WHIRLPOOL® LAUNDRY LIMITED WARRANTY

ATTACH YOUR RECEIPT HERE. PROOF OF PURCHASE IS REQUIRED TO OBTAIN WARRANTY SERVICE. Please have the following information available when you call the Customer eXperience Center:

- Name, address, and telephone number
- Model number and serial number
- A clear, detailed description of the problem
- Proof of purchase including dealer or retailer name and address

IF YOU NEED SERVICE:

1. Before contacting us to arrange service, please determine whether your product requires repair. Some questions can be addressed without service. Please take a few minutes to review the Troubleshooting or Problem Solver section of the Use and Care Guide, scan the QR code on the right to access additional resources, or visit https://www.whirlpool.com/product_help.
2. All warranty service is provided exclusively by our authorized Whirlpool Service Providers. In the U.S. and Canada, direct all requests for warranty service to:



https://www.whirlpool.com/product_help

Whirlpool Customer eXperience Center

In the U.S.A. call 1-800-253-1301. In Canada call 1-800-807-6777.

If outside the 50 United States and Canada, contact your authorized Whirlpool dealer to determine if another warranty applies.

ONE YEAR LIMITED WARRANTY

WHAT IS COVERED

For one year from the date of purchase, when this major appliance is installed, operated, and maintained according to instructions attached to or furnished with the product, Whirlpool Corporation or Whirlpool Canada LP (hereafter "Whirlpool") will pay for Factory Specified Replacement Parts and repair labor to correct defects in materials or workmanship that existed when this major appliance was purchased, or at its sole discretion replace the product. In the event of product replacement, your appliance will be warranted by the remaining term of the original unit's warranty period.

YOUR SOLE AND EXCLUSIVE REMEDY UNDER THIS LIMITED WARRANTY SHALL BE PRODUCT REPAIR AS PROVIDED HEREIN. Service must be provided by a Whirlpool designated service company. This limited warranty is valid only in the United States or Canada and applies only when the major appliance is used in the country in which it was purchased. This limited warranty is effective from the date of original consumer purchase. Proof of original purchase date is required to obtain service under this limited warranty.

WHAT IS NOT COVERED

1. Commercial, non-residential, multiple-family use, or use inconsistent with published user, operator, or installation instructions.
2. In-home instruction on how to use your product.
3. Service to correct improper product maintenance or installation, installation not in accordance with electrical or plumbing codes, or correction of household electrical or plumbing (i.e. house wiring, fuses, or water inlet hoses).
4. Consumable parts (i.e. light bulbs, batteries, air or water filters, preservation solutions, etc.).
5. Defects or damage caused by the use of non-genuine Whirlpool parts or accessories.
6. Conversion of your product from natural gas or L.P. gas or reversal of appliance doors.
7. Damage from accident, misuse, abuse, fire, floods, acts of God, or use with products not approved by Whirlpool.
8. Repairs to parts or systems to correct product damage or defects caused by unauthorized service, alteration, or modification of the appliance.
9. Cosmetic damage including scratches, dents, chips, and other damage to appliance finishes unless such damage results from defects in materials and workmanship and is reported to Whirlpool within 30 days.
10. Discoloration, rust, or oxidation of surfaces resulting from caustic or corrosive environments, including but not limited to, high salt concentrations, high moisture or humidity, or exposure to chemicals.
11. Pick-up or delivery. This product is intended for in-home repair.
12. Travel or transportation expenses for service in remote locations where an authorized Whirlpool servicer is not available.
13. Removal or reinstallation of inaccessible appliances or built-in fixtures (i.e. trim, decorative panels, flooring, cabinetry, islands, countertops, drywall, etc.) that interfere with servicing, removal, or replacement of the product.
14. Service or parts for appliances with original model/serial numbers removed, altered, or not easily determined.

The cost of repair or replacement under these excluded circumstances shall be borne by the customer.

DISCLAIMER OF IMPLIED WARRANTIES

IMPLIED WARRANTIES, INCLUDING ANY IMPLIED WARRANTY OF MERCHANTABILITY OR IMPLIED WARRANTY OF FITNESS FOR A PARTICULAR PURPOSE, ARE LIMITED TO ONE YEAR OR THE SHORTEST PERIOD ALLOWED BY LAW. Some states and provinces do not allow limitations on the duration of implied warranties of merchantability or fitness, so this limitation may not apply to you. This warranty gives you specific legal rights, and you also may have other rights that vary from state to state or province to province.

DISCLAIMER OF REPRESENTATIONS OUTSIDE OF WARRANTY

Whirlpool makes no representations about the quality, durability, or need for service or repair of this major appliance other than the representations contained in this Warranty. If you want a longer or more comprehensive warranty than the limited warranty that comes with this major appliance, you should ask Whirlpool or your retailer about buying an extended warranty.

LIMITATION OF REMEDIES; EXCLUSION OF INCIDENTAL AND CONSEQUENTIAL DAMAGES

YOUR SOLE AND EXCLUSIVE REMEDY UNDER THIS LIMITED WARRANTY SHALL BE PRODUCT REPAIR AS PROVIDED HEREIN. WHIRLPOOL SHALL NOT BE LIABLE FOR INCIDENTAL OR CONSEQUENTIAL DAMAGES. Some states and provinces do not allow the exclusion or limitation of incidental or consequential damages, so these limitations and exclusions may not apply to you. This warranty gives you specific legal rights, and you also may have other rights that vary from state to state or province to province.

SÉCURITÉ DE LA LAVEUSE

Votre sécurité et celle des autres est très importante.

Nous donnons de nombreux messages de sécurité importants dans ce manuel et sur votre appareil ménager. Assurez-vous de toujours lire tous les messages de sécurité et de vous y conformer.



Voici le symbole d'alerte de sécurité.

Ce symbole d'alerte de sécurité vous signale les dangers potentiels de décès et de blessures graves à vous et à d'autres.

Tous les messages de sécurité suivront le symbole d'alerte de sécurité et le mot "DANGER" ou "AVERTISSEMENT". Ces mots signifient :

⚠ DANGER

Risque possible de décès ou de blessure grave si vous ne suivez pas immédiatement les instructions.

⚠ AVERTISSEMENT

Risque possible de décès ou de blessure grave si vous ne suivez pas les instructions.

Tous les messages de sécurité vous diront quel est le danger potentiel et vous disent comment réduire le risque de blessure et ce qui peut se produire en cas de non-respect des instructions.

IMPORTANTES INSTRUCTIONS DE SÉCURITÉ

AVERTISSEMENT : Pour réduire les risques d'incendie, de choc électrique ou de blessures lors de l'utilisation de la laveuse, suivre les précautions fondamentales dont les suivantes :

- Lire toutes les instructions avant d'utiliser la laveuse.
- Ne pas laver des articles qui ont été nettoyés ou lavés avec de l'essence ou imbibés d'essence, solvants de nettoyage à sec, ou autres substances inflammables ou explosives; ces substances peuvent émettre des vapeurs susceptibles de s'enflammer ou d'exploser.
- Ne pas ajouter d'essence, solvant de nettoyage à sec ou autre produit inflammable ou explosif dans l'eau de lavage. Ces substances peuvent émettre des vapeurs susceptibles de s'enflammer ou d'exploser.
- Dans certaines conditions, de l'hydrogène gazeux peut se former dans un circuit d'eau chaude qui n'a pas été utilisé pendant 2 semaines ou plus. LE GAZ HYDROGÈNE EST EXPLOSIBLE. Si le circuit d'eau chaude n'a pas été utilisé pendant une telle période, avant d'utiliser la laveuse, ouvrir tous les robinets d'eau chaude et laisser l'eau s'écouler pendant plusieurs minutes par chaque robinet. Ceci permettra l'évacuation de l'hydrogène gazeux accumulé. Comme ce gaz est inflammable, ne pas fumer ou utiliser une flamme nue au cours de cette période.
- Ne pas laisser des enfants jouer sur ou à l'intérieur de la laveuse. Bien surveiller les enfants lorsque la laveuse est utilisée à proximité d'enfants.
- Avant de mettre la laveuse au rebut ou hors de service, enlever la porte ou le couvercle.
- Ne pas tenter d'atteindre un article à l'intérieur de la cuve de la laveuse lorsque le tambour, la cuve ou l'agitateur est en mouvement.
- Ne pas installer ou remiser cette laveuse à un endroit où elle serait exposée aux intempéries.
- Ne pas modifier les organes de commande.
- Ne pas réparer ou remplacer un composant quelconque de la laveuse, ni entreprendre une opération de service, si ce n'est spécifiquement recommandé dans ce manuel ou dans un manuel d'instructions de réparations destiné à l'utilisateur; il est alors essentiel que la personne concernée comprenne ces instructions et soit compétente pour les exécuter.
- Pour les instructions de liaison à la terre, voir "Spécifications électriques" dans les instructions d'installation.

CONSERVEZ CES INSTRUCTIONS

Avertissements de la proposition 65 de l'État de Californie :

AVERTISSEMENT : Ce produit contient au moins un produit chimique connu par l'État de Californie pour être à l'origine de cancers.

AVERTISSEMENT : Ce produit contient au moins un produit chimique connu par l'État de Californie pour être à l'origine de malformations et autres déficiences de naissance.

INSTRUCTIONS D'UTILISATION

Accessoires

ACCESSOIRES D'INSTALLATION ET D'ENTRETIEN

PIÈCES AGRÉÉES PAR LE FABRICANT – Ces mots désignent des pièces de qualité et des accessoires conçus spécialement pour votre appareil. Une ingénierie qui a fait ses preuves, pour répondre à nos normes de qualité les plus strictes.

PIÈCES AGRÉÉES PAR LE FABRICANT

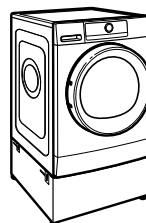
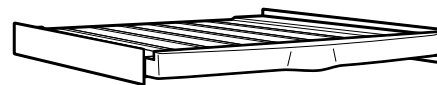
Accessoires conçus pour votre appareil :

Personnaliser votre nouvelle laveuse et sècheuse grâce aux authentiques accessoires Whirlpool suivants. Pour plus d'informations sur les options et sur les possibilités de commande, appeler **1 800 688-2002** ou consulter www.whirlpool.ca.



Ensemble de superposition

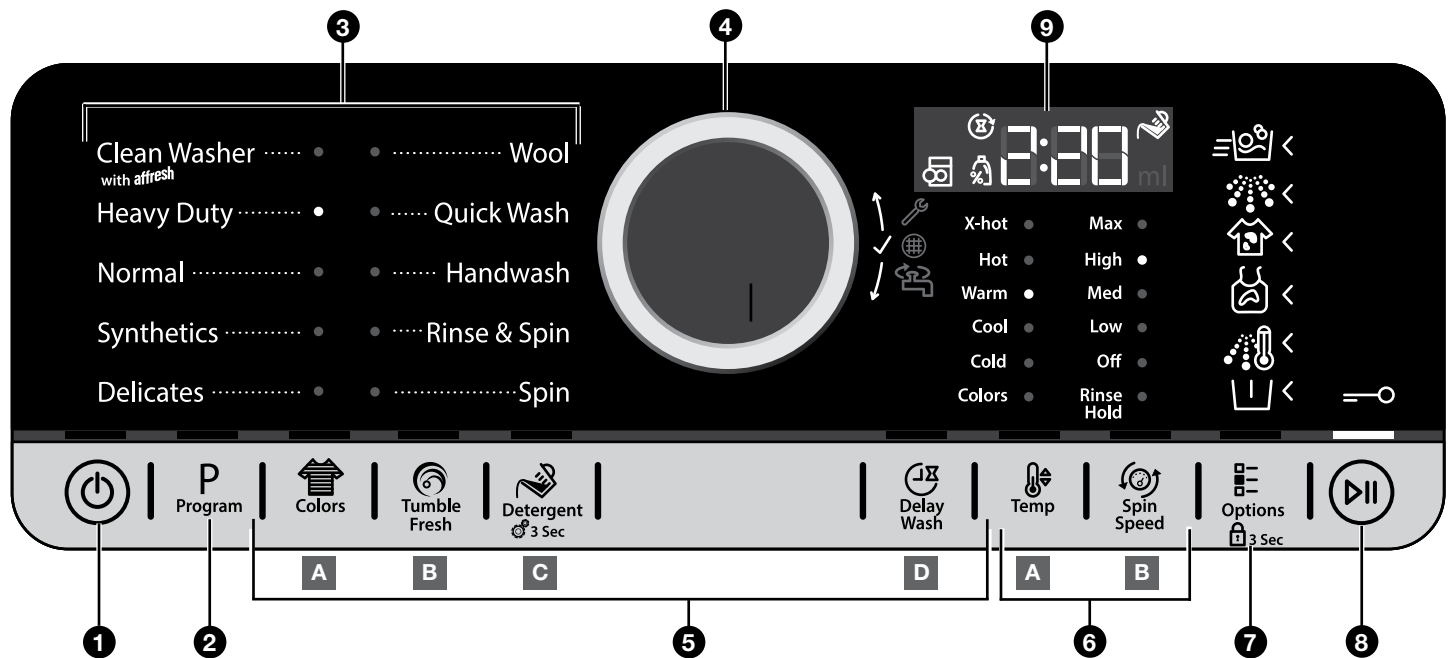
Si l'espace disponible est restreint, l'ensemble de superposition permet à la sècheuse d'être installée par dessus la laveuse.



Piédestal de 12"

Les piédestaux aux coloris assortis surélèvent la laveuse et la sècheuse pour les amener à une hauteur d'utilisation plus confortable.

Tableau de commande et caractéristiques



1 BOUTON DE MISE SOUS/HORS TENSION

Maintenir enfoncé jusqu'à ce que les témoins au-dessus du bouton de programme s'allument. Les témoins au-dessus des boutons clignoteront de gauche à droite pendant le fonctionnement de la laveuse. Des symboles s'affichent à l'écran et des tonalités retentissent.

Maintenir enfoncé le bouton d'alimentation pour annuler un programme. "rES" s'affiche lorsqu'un programme est annulé.

2 PROGRAMME

Lorsque la laveuse est mise en marche, le témoin au-dessus du bouton s'allume. Ceci indique qu'il est maintenant possible de sélectionner un programme. Les réglages de programme utilisés la dernière fois s'affichent sur le panneau de commande.

3 ZONE DES PROGRAMMES

Un témoin situé près de chaque programme s'allume lorsque le bouton est utilisé pour se déplacer dans la liste. Appuyer sur le bouton lorsque le témoin situé à côté du programme désiré est allumé.

4 BOUTON DE COMMANDE

Tourner le bouton pour sélectionner un programme approprié pour votre charge de linge, modifier la température du programme, régler la vitesse d'essorage, programme un démarrage différé, régler les dosages ou sélectionner d'autres options. Appuyer sur le bouton pour confirmer la sélection.

5 OPTIONS

Appuyer pour sélectionner des options de lavage et des réglages supplémentaires avant d'appuyer sur le bouton de mise en marche. Les options de lavage ou les réglages supplémentaires sélectionnés après avoir appuyé sur le bouton de mise en marche/pause pourraient ne pas être actifs.

Pour revenir aux réglages de programme pré-réglé à l'usine, débrancher la laveuse pendant 30 secondes, puis la rebrancher.

A Couleurs

Cette option aide à préserver les couleurs de vos vêtements en les lavant dans une eau froide à

59°F (15°C). Elle convient pour les vêtements de couleur légèrement sales, mais sans taches.

B Option TumbleFresh™

L'option TumbleFresh™ fait périodiquement culbutter la charge 7 secondes toutes les 3 minutes après un programme, pendant une période pouvant aller jusqu'à 6 heures. Pour utiliser l'option TumbleFresh™, appuyer sur le bouton TUMBLEFRESH. Si l'option TumbleFresh™ est activée, elle restera activée pour tous les programmes suivants jusqu'à ce qu'on la désactive à nouveau – la laveuse mémorise le dernier statut programmé (activé/désactivé). Pour désactiver l'option TumbleFresh™, appuyer sur le bouton TUMBLEFRESH.

C Assistant de dosage de détergent

Cette option aide à déterminer la bonne quantité de détergent à utiliser selon la charge à laver. La concentration des détergents varie considérablement, ajuster la quantité de détergent au besoin. Vérifier aussi si le réglage de dureté de l'eau pré-réglé de la laveuse correspond à la dureté de l'eau utilisée, effectuer les réglages appropriés (voir la section "Utiliser votre laveuse").

En appuyant sur ce bouton, le symbole de l'assistant de dosage de détergent s'allume à l'écran.

Lorsqu'on appuie sur le bouton de mise en marche/pause pour démarrer le programme, le tambour tourne pour détecter la taille de la charge à laver. Pendant cette détection, l'affichage passe du temps nécessaire pour effectuer le programme à une animation de DEL. L'écran affichera ensuite la quantité de détergent recommandée en millilitres (voir le tableau des concentrations dans la section "À propos de la concentration du détergent"). Utiliser n'importe quel tasse à mesurer standard pour mesurer la bonne quantité de détergent. Après avoir ajouté le détergent, fermer le distributeur de détergent. Appuyer sans relâcher sur le bouton de mise en marche/pause pour démarrer le programme de lavage.

D Mise en marche différée

Cette option permet de retarder le départ du programme de lavage jusqu'à 24 heures.

6 RÉGLAGES

A Température

Ce réglage offre la possibilité de modifier la température du programme sélectionné, au besoin.

B Vitesse d'essorage

Ce réglage offre la possibilité de modifier la vitesse d'essorage du programme sélectionné, au besoin.

Rinse/Hold (rinçage/maintien)

Cette option arrête le programme à la fin du rinçage et laisse les vêtements tremper jusqu'à ce qu'on appuie sur le bouton de mise en marche/pause pour effectuer le drainage et l'essorage final.

7 AUTRES OPTIONS

☰ Gagner du temps

Cette option permet d'effectuer un lavage rapide. Elle n'est recommandée que pour le linge légèrement sale.

☼ Rinçage supplémentaire

Cette option aide à ce qu'il n'y ait pas de résidu de détergent sur les vêtements en augmentant le temps de rinçage. Elle est très utile pour le lavage de vêtements de bébés, pour les personnes allergiques ou quand l'eau est douce.

👤 Saleté intense

Cette option optimise l'efficacité des produits détachants. Elle est idéale pour le linge très sale et taché. Ajouter une quantité appropriée de produit détachant en poudre dans le tambour en même temps que le détergent (en poudre seulement). Cette option peut prolonger le programme de 15 minutes. Elle offre un rendement maximal avec les détachants à base d'oxygène.

IMPORTANT : Ne pas utiliser de javellisant à base de chlore ou de perborate.

👖 Pré-trempage

L'option Pré-trempage peut être activée ou désactivée. L'option de pré-trempage effectuera un trempage à froid de 30 minutes au début du cycle.

REMARQUE : Le prétraitement est recommandé pour les taches tenaces.

🌡️ Assainissement

Ce cycle élimine 99,9% des bactéries les plus communes que l'on trouve dans les vêtements, les draps et les serviettes. La température de lavage extrêmement chaude garantit un assainissement. Vérifiez la température de lavage recommandée de vos articles. Les bactéries testées étaient les K. pneumonia, P. aureginosa, et S. aureus.

👔 Prélavage

Cette option aide à laver les vêtements très sales en ajoutant un prélavage de 20 minutes au programme sélectionné.

🔒 Verrouillage des commandes

Cette option permet de verrouiller les boutons pour éviter une utilisation involontaire par de jeunes enfants ou des personnes qui n'ont pas les compétences requises. Maintenir enfoncé le bouton d'options jusqu'à ce que le symbole en forme de clé s'illumine. Toutes les commandes, à l'exception du bouton d'alimentation, sont verrouillées. Pour désactiver le verrouillage, maintenir enfoncé le bouton d'options jusqu'à ce que le symbole en forme de clé s'éteigne.

8 BOUTON DE MISE EN MARCHÉ/PAUSE

Appuyer pour mettre un programme en marche ou maintenir enfoncé pour mettre sur pause. Lorsqu'on démarre un programme, l'écran affiche des DEL qui se déplacent. Ceci indique que la laveuse évalue la taille de la charge sèche. Une fois la taille de la charge évaluée, de l'eau est ajoutée pour commencer le programme de lavage.

9 VOYANT DEL

Lorsqu'on sélectionne un programme, ses réglages par défaut s'allument et la durée restante estimée s'affiche. Des facteurs comme la taille de la charge, la température et la pression de l'eau peuvent affecter la durée indiquée sur l'afficheur. La laveuse peut également ajuster la durée du programme si le linge est tassé, la charge déséquilibrée ou si la mousse produite est excessive.

Symboles



La porte peut être ouverte.



L'apport en eau n'est pas adéquat.



L'eau ne peut pas être vidangée. Le filtre à l'eau, le tuyau de vidange ou la pompe peuvent être bloqués. Vérifier le tuyau de vidange pour toute déformation ou nettoyer le filtre comme indiqué dans la section "Entretien de la laveuse".



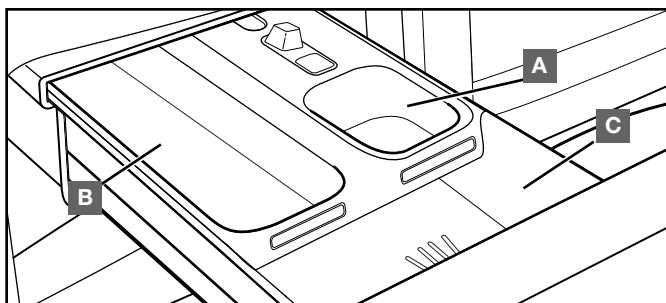
Appeler pour demander une intervention de dépannage.



Symbole d'assistant de dosage.

Tiroir distributeur

Le tiroir distributeur offre la possibilité d'ajouter du détergent HE, et de l'assouplissant pour tissu à la charge de lavage, au moment approprié. Voir "Utilisation du tiroir du distributeur" pour plus d'informations sur l'utilisation du tiroir du distributeur.



A Compartiment d'assouplissant pour tissu liquide

Dilue et distribue automatiquement l'assouplissant pour tissu liquide au moment opportun lors du programme.

■ Utiliser uniquement de l'assouplissant de tissu liquide dans ce distributeur.

B Compartiment de prélavage

Lors de l'utilisation de l'option de prélavage, ajouter le détergent ici ou directement dans le tambour.

C Compartiment de lavage principal

Ce compartiment contient le détergent HE liquide ou en poudre qui seront utilisés lors du programme de lavage principal. Si du détergent de prélavage a été ajouté au tambour, utiliser du détergent en poudre dans le compartiment de lavage principal; ceci assure que le détergent reste dans le distributeur à détergent jusqu'à ce que le lavage principal commence.


IMPORTANT : Ne pas utiliser l'eau de Javel dans cette laveuse.


Guide des programmes


Les réglages et options indiqués en **gras** sont les réglages par défaut pour ce programme. Pour un meilleur soin des tissus, choisir le programme, les options, et les réglages qui conviennent le mieux à la charge à laver. Tous les réglages ne sont pas disponibles sur tous les programmes et certaines options ne peuvent pas être combinées.


Recommandations concernant le volume de la charge

Pour des résultats optimaux, suivre les recommandations concernant la taille de la charge indiquées pour chaque programme.

 **Petite charge** : Remplir le tambour de la laveuse avec trois ou quatre articles, pas plus du quart de sa capacité.

 **Charges de taille moyenne** : Remplir le tambour de la laveuse à environ la moitié de sa capacité.

 **Grande charge** : Remplir le tambour de la laveuse environ aux trois quarts.

 **Très grande charge** : Remplir le tambour de la laveuse tout en veillant à ce que les vêtements puissent culbuter librement. Pour des résultats optimaux, éviter de tasser les vêtements.

Option Rinse Hold (rinçage/maintien)



Cette option fait tremper les vêtements dans l'eau de rinçage final sans faire d'essorage. L'option de maintien du rinçage est idéale pour les vêtements délicats et les articles nécessitant une vitesse d'essorage lente, elle ne convient cependant pas pour la soie.

Pour désactiver l'option de maintien du rinçage et vider l'eau :

■ Tourner le bouton de vitesse d'essorage sur "0", appuyer sur le bouton pour confirmer la sélection, puis appuyer sur le bouton de mise en marche/pause.

OU








■ Faire essorer les vêtements, au besoin. Appuyer sur le bouton de mise en marche/pause pour utiliser l'essorage à la vitesse par défaut ou tourner le bouton pour sélectionner la vitesse d'essorage, appuyer ensuite sur le bouton pour confirmer la sélection, puis appuyer sur le bouton de mise en marche/pause.

Programme :	Articles à laver en utilisant les réglages de programmes par défaut :	Température de lavage :*	Vitesse d'essorage :	Options disponibles :	Détails du programme :
Clean Washer with affresh® (nettoyage de la laveuse avec affresh®)	Pas de vêtements dans la laveuse	X-hot	N/A		Utiliser ce programme à l'issue de chaque série de 30 lavages pour que l'intérieur de la laveuse reste frais et propre. Ce programme utilise un niveau d'eau plus élevé. Utiliser une tablette de nettoyant pour laveuse affresh® pour nettoyer soigneusement l'intérieur de la laveuse. Ce programme ne doit pas être interrompu. Voir "Entretien de la laveuse". IMPORTANT: ■ Ne pas placer de vêtements ou autres articles dans la laveuse pendant que le programme Clean Washer with affresh® (nettoyage de la laveuse avec affresh®) fonctionne. Utiliser ce programme avec une cuve de lavage vide. Voir "Entretien de la laveuse" dans la section "Entretien de la laveuse". ■ Ne pas utiliser de javellisant; cependant, un agent oxydant sans chlore peut être utilisé.
Heavy Duty (service intense)	Tissus robustes aux couleurs grand teint et vêtements très sales	X-hot Hot Warm Cool Cold Colors	Max High Medium Low Off	Colors TumbleFresh™ Detergent Delay Wash Extra Rinse Heavy Soil Pre-Soak PreWash Sanitize** PreWash Rinse/Hold	 Un culbutage à haute vitesse et un essorage final à très haute vitesse aident à fournir une performance de nettoyage optimale et à réduire le temps de séchage.
Normal	Charges de linge de maison, draps et vêtements mixtes présentant un niveau de saleté normal	X-hot Hot Warm Cool Cold Colors	Max	Colors TumbleFresh™ Detergent Delay Wash Save Time Extra Rinse Pre-Soak PreWash Rinse/Hold	 Ce programme combine un culbutage à vitesse moyenne et un essorage à très haute vitesse. Ce programme est conçu pour fournir la meilleure efficacité éconergétique.

*Toutes les sélections de température de lavage comprennent un rinçage à l'eau froide.

**Uniquement disponible pour le réglage "X-hot".

(Suite à la page suivante)

Programme :	Articles à laver en utilisant les réglages de programmes par défaut :	Température de lavage :*	Vitesse d'essorage :	Options disponibles :	Détails du programme :
Synthetics (Synthétiques)	Vêtements normalement tachés, fabriqué de fibres artificielles ou de mélange de coton	X-hot Hot Warm Cool Cold Colors	Max High Medium Low Off	Colors TumbleFresh™ Detergent Delay Wash Save Time Extra Rinse Heavy Soil Pre-Soak PreWash Rinse/Hold	 Ce programme utilise un essorage à grande vitesse pour extraire le plus d'eau possible. Il utilise aussi un culbutage à grande vitesse (semblable aux programmes normal et service intense).
Delicates (articles délicats)	Tissus transparents, lingerie, tricot et chemises, chemisiers, pantalons et robes légèrement sales	Warm Cool Cold Colors	Medium Low Off	Colors TumbleFresh™ Detergent Delay Wash Save Time PreWash Rinse/Hold Extra rinse Heavy soil Pre-Soak	 Ce programme combine un culbutage et un essorage à basse vitesse pour assurer un soin délicat des tissus et réduire le froissement.
Wool (Lainages)	Les articles en laine munis du logo Woolmark et identifiés comme pouvant être lavés à la machine	Cool Cold Colors	Low Off	Colors TumbleFresh™ Delay Wash Save Time Rinse/Hold Detergent Extra Rinse Heavy soil PreWash Pre-Soak	 Ce programme utilise un culbutage délicat qui permet de faire tremper les vêtements tout en limitant les dommages causés au tissu. Utilise aussi une vitesse d'essorage moins élevée.
Quick Wash (lavage rapide)	Petites charges de deux à quatre vêtements légèrement sales	Hot Warm Cool Cold Colors	Max High Medium Low Off	Colors TumbleFresh™ Detergent Delay Wash Rinse/Hold Save time Extra rinse Heavy Soil PreWash Pre-Soak	 Pour les petites charges (de deux à quatre articles) dont on a besoin rapidement. Ce programme combine un culbutage à haute vitesse, un lavage plus court et une très haute vitesse d'essorage pour réduire le temps de séchage.
Handwash (Lavage à la main)	Soie (consulter les recommandations d'entretien), cachemire et tissus viscoélastiques identifiés comme pouvant être lavés à la machine	Cool Cold Colors	Low Off	Colors TumbleFresh™ Delay Wash Save Time Rinse/Hold Detergent Extra Rinse Heavy Soil PreWash Pre-Soak	 Utiliser ce programme pour les tissus délicats. Ce programme utilise un culbutage délicat qui permet de faire tremper les vêtements tout en limitant les dommages causés au tissu. Utilise aussi une vitesse d'essorage moins élevée.
Rinse & Spin (rinçage et essorage)	Toutes les charges	N/A	Max High Medium Low Off	TumbleFresh™ Extra Rinse Rinse/Hold	 Utiliser ce programme pour obtenir uniquement un rinçage et un essorage. Ce programme offre un essorage à grande vitesse. Le rinçage avec essorage est pratique pour les charges qui n'ont besoin que d'être rincées et pour ajouter de l'assouplisseur à une charge en utilisant le distributeur d'assouplisseur.
Spin (essorage)	Charge de vêtements mouillée	N/A	Max High Medium Low Off	TumbleFresh™	 Sélectionner l'essorage pour enlever toute l'eau restée dans la charge. La vitesse d'essorage peut être réglée à une vitesse inférieure.

*Toutes les sélections de température de lavage comprennent un rinçage à l'eau froide.

Options de Température de lavage :
X Hot (très chaude)
Hot (chaude)
Warm (tiède)
Cool (frais)
Cold (froide)

Options de Vitesse d'essorage :
Max (maximum)
High (haute)
Medium (moyenne)
Low (basse)
Off (arrêt)

Options disponibles :
Colors (couleurs)
TumbleFresh™
Detergent (détergent)
Delay Wash (lavage différé)
Save Time (gagner du temps)
Extra Rinse (rinçage supplémentaire)

Options disponibles (suite) :
Heavy Soil (saleté intense)
Cold Water (l'eau froide)
PreWash (prélavage)
Sanitize (Pré-trempage)
Rinse/Hold (rinçage/maintien)

Choix du détergent approprié

Utiliser uniquement un détergent Haute efficacité ("HE"). L'emballage portera la mention "HE" ou "High Efficiency" (haute efficacité). Un lavage avec faible consommation d'eau produit un excès de mousse avec un détergent non HE ordinaire. Il est probable que l'utilisation d'un détergent ordinaire prolongera la durée des programmes et réduira la performance de rinçage. Ceci peut aussi entraîner des défaillances de composants et, avec le temps, une accumulation de moisissure. Les détergents HE produisent peu de mousse et se dissolvent rapidement pour produire une quantité de mousse idéale pour une performance optimale. Ils retiennent les particules de saleté en suspension afin qu'elles ne se redéposent pas sur les vêtements propres. Les détergents identifiés HE ne comportent pas tous une formule identique et ne produisent pas tous la même quantité de mousse. Par exemple, les détergents HE, naturels, organiques et faits maison peuvent produire une plus grande quantité de mousse. Toujours suivre les recommandations du fabricant de détergent pour déterminer la quantité de détergent à utiliser.



Utiliser uniquement un détergent haute efficacité (HE).

À propos de la concentration du détergent

Les détergents HE liquides disponibles de nos jours sont concentrés. La plupart des marques de détergents HE concentrés indiquent le niveau de concentration sur le flacon.

Mais si le niveau de concentration n'est pas indiqué sur le flacon, on peut facilement le calculer. Il suffit de diviser la taille de l'emballage en onces liquide par le nombre de charges. Consulter ensuite le tableau ci-dessous pour trouver la concentration.

Si l'on n'obtient pas les résultats de nettoyage désirés, essayer d'utiliser une concentration plus basse. En cas de moussage excessif, essayer une concentration plus élevée.

Concentration	Nombre d'onces ÷ nombre de charges
2X	1,5 à 2,49 (44,4 ml à 73,6 ml)
3X	0,9 à 1,49 (26,6 ml à 44,1 ml)
4X	0,7 à 0,89 (20,7 ml à 26,3 ml)
5X	0,5 à 0,69 (14,8 ml à 20,4 ml)
6X	0,3 à 0,49 (8,9 ml à 14,5 ml)

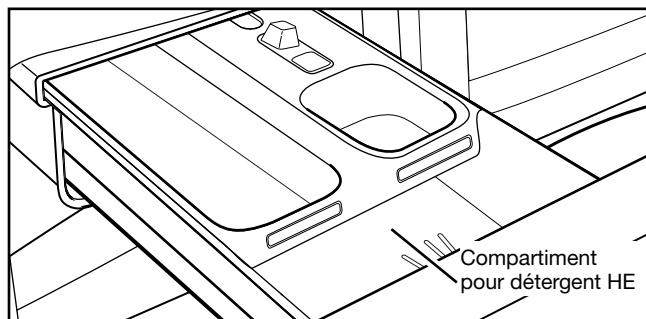
Utilisation du tiroir distributeur

1. Ouvrir le tiroir distributeur.
2. Ajouter les produits de lessive tel que décrit dans les étapes 4 à 6 dans la section "Utilisation de la laveuse".
3. Fermer lentement le tiroir du distributeur. Vérifier qu'il est complètement fermé.

REMARQUE : Il est possible qu'une petite quantité d'eau provenant du programme de lavage précédent reste dans les distributeurs. Ceci est normal.

IMPORTANT : Ne pas utiliser d'eau de Javel dans cette laveuse.

Ajouter du détergent HE au distributeur



Verser une mesure de détergent HE dans le compartiment à détergent.

Ne pas faire remplir excessivement le distributeur – le fait d'ajouter trop de détergent peut entraîner sa distribution prématurée dans la laveuse.



Utiliser uniquement un détergent haute efficacité (HE).

IMPORTANT :

- Ne pas ajouter de sachet de lessive à dose unique dans le tiroir distributeur.
- Utiliser un détergent en poudre lorsque l'on utilise l'option Delay Wash (lavage différé). Il est possible que le détergent liquide s'écoule avant le début du lavage.

Ajouter la bonne quantité de détergent

- N'utiliser que la quantité recommandée par le fabricant du détergent (HE liquide ou en poudre).
- Si l'option de pré-lavage a été sélectionnée, diviser le détergent entre le pré-lavage et les compartiments de lavage principaux.

Utilisation de la laveuse

⚠ AVERTISSEMENT



Risque d'incendie

Ne jamais mettre des articles humectés d'essence ou d'autres fluides inflammables dans la laveuse.

Aucune laveuse ne peut complètement enlever l'huile.

Ne pas faire sécher des articles qui ont été salis par tout genre d'huile (y compris les huiles de cuisson).

Le non-respect de ces instructions peut causer un décès, une explosion ou un incendie.

⚠ AVERTISSEMENT



Risque de choc électrique

Brancher sur une prise à 3 alvéoles reliée à la terre.

Ne pas enlever la broche de liaison à la terre.

Ne pas utiliser un adaptateur.

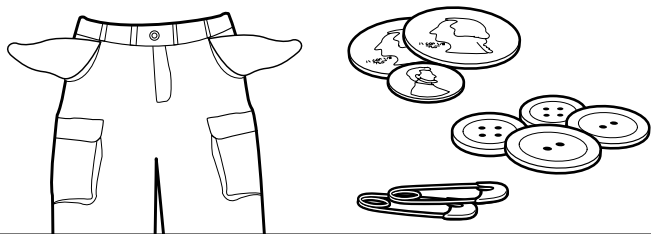
Ne pas utiliser un câble de rallonge.

Le non-respect de ces instructions peut causer un décès, un incendie ou un choc électrique.

Premier programme de lavage sans vêtements

Avant de laver des vêtements pour la première fois, ajouter du détergent HE liquide ou en poudre dans le distributeur de détergent. Choisir le programme de lavage rapide et le lancer sans vêtements. Utiliser uniquement un détergent HE. Le programme initial sert à assurer que l'intérieur est propre et que le distributeur est prêt à l'utilisation avant de laver des vêtements.

1. Trier et préparer le linge

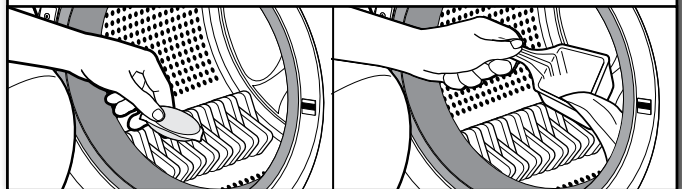


Trier les articles en fonction du programme et de la température recommandés, ainsi que la solidité des teintures. Séparer les articles très sales des articles peu sales. Séparer les articles délicats des tissus résistants. Traiter les taches sans délai et contrôler la solidité des teintures pour tester les produits d'élimination de taches sur une couture intérieure.

IMPORTANT :

- Vider les poches. Les pièces de monnaie, boutons et autres petits objets peuvent obstruer les pompes et nécessiter une intervention de dépannage.
- Fermer les fermetures à glissière, attacher les crochets, cordons et ceintures en tissu, et retirer tout accessoire et ornement non lavables.
- Réparer les déchirures pour éviter que les articles ne s'endommagent encore davantage lors du nettoyage.
- Retourner les tricotés pour éviter le boulochage. Séparer les articles qui retiennent la charpie des articles qui la transmettent. Les articles synthétiques, tricotés et articles en velours retiennent la charpie provenant des serviettes, des tapis et des tissus chenille.
- Ne pas sécher les vêtements si les taches sont toujours présentes après le lavage, car la chaleur pourrait fixer les taches sur le tissu.
- Toujours lire et suivre les instructions figurant sur les étiquettes de soin des tissus et sur les produits de lessive. Une mauvaise utilisation pourrait endommager les vêtements.

2. Ajouter les produits de buanderie (si désiré)

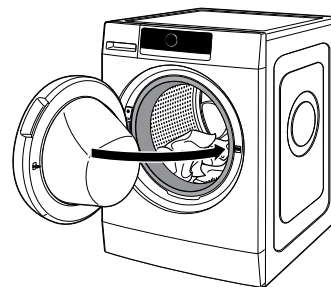


On peut ajouter des sachets de lessive à dose unique, des activateurs de lessive de type Oxi, ou de l'assouplissant pour tissu sous forme de cristaux dans le tambour avant d'ajouter le linge.

REMARQUES :

- Toujours suivre les instructions du fabricant.
- Ne pas utiliser d'agent de blanchiment au chlore.

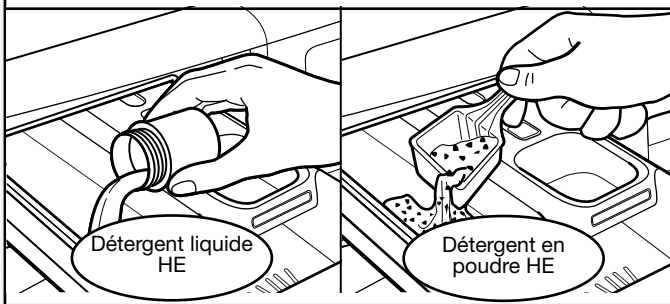
3. Charger les vêtements dans la laveuse



Placer une charge de linge trié dans la laveuse sans les tasser. Les articles doivent pouvoir se déplacer librement pour un nettoyage optimal et pour réduire le froissement et l'emmêlement. Fermer la porte de la laveuse en la poussant fermement jusqu'à ce que le loquet émette un clic.

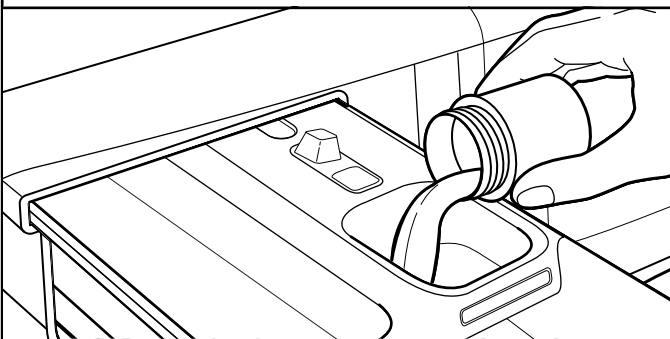
- Il est possible de charger complètement la laveuse, selon le type de charge et le programme, mais les vêtements ne doivent pas être tassés. La porte de la laveuse doit fermer facilement. Voir "Guide de programmes" pour des suggestions sur le mode de chargement.
- Mélanger les gros articles avec les petits et éviter de laver des articles seuls. Charger de façon uniforme.
- Laver les petits articles dans des sacs à linge en filet. Si les petits articles sont nombreux, utiliser plus d'un sac et remplir les sacs de façon égale.

4. Ajouter du détergent HE*



REMARQUE : Ne pas placer de sachets de lessive à dose unique, d'activateurs de lessive de type Oxi ou d'assouplissant pour tissu sous forme de cristaux dans les distributeurs. Ces produits ne se dissoudront pas correctement.

5. Verser de l'assouplissant pour tissu dans le distributeur (si désiré)



Verser une mesure de l'assouplissant pour tissu liquide dans le compartiment d'assouplissant pour tissu liquide. Toujours suivre les instructions du fabricant concernant la dose d'assouplissant pour tissu à utiliser en fonction de la taille de la charge.

L'assouplissant pour tissu est toujours distribué lors du rinçage final, même si l'on a sélectionné un rinçage supplémentaire.

IMPORTANT : Ne pas remplir excessivement le distributeur, diluer le produit ou utiliser plus de 1/4 de tasse (60 mL) d'assouplissant pour tissu. Ne pas remplir au-delà du niveau MAX. Si l'on remplit excessivement le distributeur, l'assouplissant pour tissu sera distribué dans la laveuse immédiatement.

- Ne pas renverser ou faire couler d'assouplissant de tissu sur les vêtements.
- Ne pas utiliser de boules distributrices d'assouplissant pour tissu dans cette laveuse. Ces produits ne se dissoudront pas correctement.

6. Appuyer sur sans relâcher le bouton de mise sous tension pour mettre la laveuse en marche



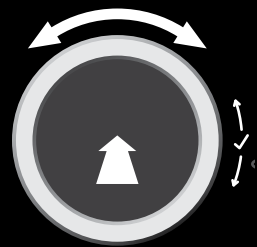
Maintenir enfoncé jusqu'à ce que le témoin s'allume.

REMARQUE : Pour annuler un programme, maintenir enfoncé le bouton d'alimentation. "rES" s'affiche lorsqu'un programme est annulé.

REMARQUE : Lorsque la laveuse est alimentée, les témoins lumineux clignoteront de gauche à droite sur le panneau de commande. Ne pas essayer de programmer la laveuse avant que les témoins aient cessé de circuler.

7. Choisir le programme†

Clean Washer <small>with affresh</small>	•	• Wool
Heavy Duty	•	• Quick Wash
Normal	•	• Handwash
Synthetics	•	• Rinse & Spin
Delicates	•	• Spin



Tourner le bouton de programme pour sélectionner un programme correspondant à la charge à laver. En tournant le bouton, un témoin lumineux s'allume à côté du nom du programme, à la gauche du bouton. Arrêter de tourner lorsque le témoin situé à côté du programme désiré est allumé. Appuyer sur le bouton pour confirmer la sélection.

Voir la section "Guide de programmes" pour plus de détails concernant les caractéristiques de programmes.

*Le détergent peut être ajouté après avoir appuyé sur le bouton de mise en marche/pause si l'assistant de dosage est utilisé (voir l'étape 8).

†Tous les réglages et toutes les options ne sont pas disponibles sur tous les programmes. Voir "Guide de programmes" pour les options et les réglages disponibles.

8. Sélectionner les options (si désiré)[†]



Assistant de dosage (bouton de détergent) :

Le bouton de détergent calcule la quantité de détergent recommandée en millilitres. La quantité s'affiche une fois que l'on a appuyé sur le bouton de mise en marche/pause et que la charge a été détectée. Le bouton de détergent permet aussi d'adapter la laveuse au dosage de la quantité de détergent et à la dureté de l'eau utilisée.

Pour régler la laveuse pour le dosage de la quantité de détergent :

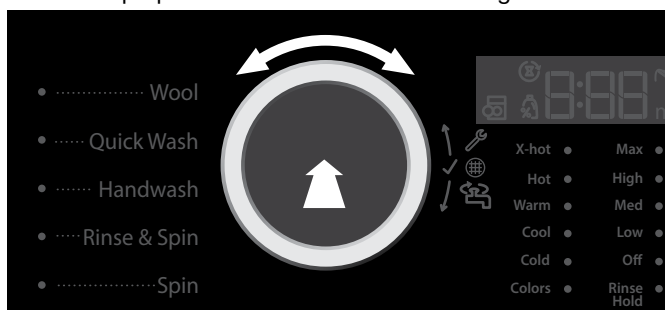
1. Vérifier le dosage de la quantité de détergent pour une charge moyennement sale et une eau moyennement dure.

REMARQUE : Ne pas ajouter plus que le dosage recommandé par le fabricant du détergent.

2. Maintenir enfoncé le bouton de DÉTERGENT jusqu'à ce que le symbole en forme de bouteille s'allume.



3. Tourner le bouton pour modifier le dosage selon ce qui est indiqué sur la bouteille de détergent. Appuyer sur le bouton pour confirmer la sélection. Consulter le tableau de la section "À propos de la concentration du détergent".

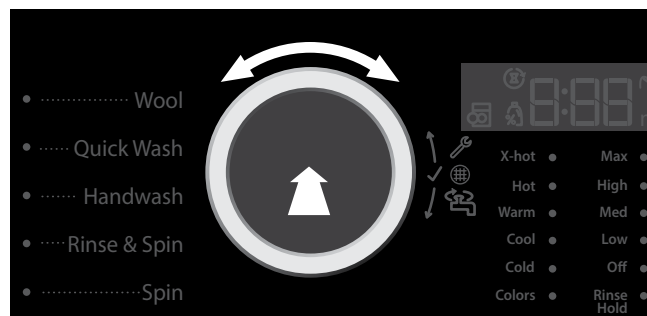


Pour régler la laveuse pour la dureté de l'eau utilisée (la laveuse est pré-réglée pour de l'eau douce) :

1. Vérifier le niveau de dureté de l'eau utilisée en consultant les autorités locales ou Internet.
2. Si l'eau n'est pas douce, maintenir simultanément enfoncés les boutons de programme et de détergent. "1" (pour eau douce) apparaît à l'écran.



3. Tourner le bouton pour modifier le réglage à "2" (moyen) ou "3" (dure). Appuyer sur le bouton pour confirmer la sélection.



9. Pour régler une delayed wash (lavage différé) (si désiré)[†]



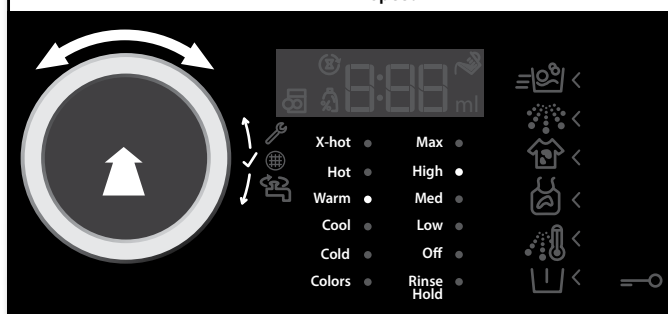
Pour démarrer un programme ultérieurement, sélectionner l'option de mise en marche différée. La mise en marche d'un programme de lavage peut être différée jusqu'à 24 heures.

Pour régler une Delayed Wash (lavage différé) :

1. Appuyer sur le bouton de mise en marche différée pour sélectionner le délai souhaité.
2. Faire tourner le bouton pour obtenir le nombre d'heures souhaité avant la mise en marche du programme de lavage. Le délai apparaît sur l'afficheur. Appuyer sur le bouton pour confirmer la sélection.

Après avoir appuyé sur le bouton de mise en marche/pause, la porte se verrouille et la minuterie démarre jusqu'à ce que le temps soit entièrement écoulé. La laveuse se met en marche et l'affichage indique le temps restant au programme.

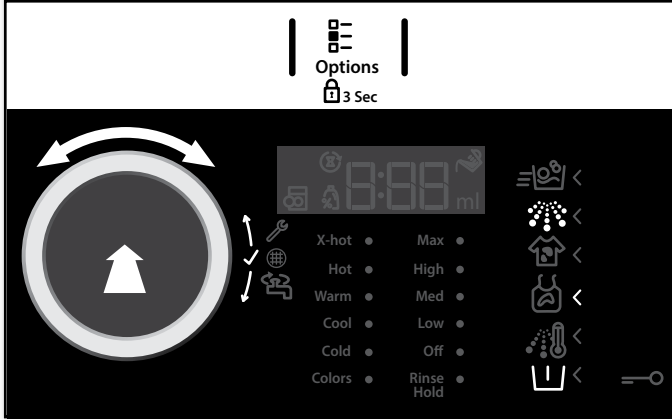
10. Modifier la température ou la vitesse d'essorage (si désiré)[†]



Appuyer sur le bouton de température ou de vitesse d'essorage, puis tourner le bouton pour sélectionner la température ou la vitesse d'essorage souhaitée. En tournant le bouton, un témoin lumineux s'allume à côté de la température ou de la vitesse d'essorage, à la droite du bouton. Arrêter de tourner lorsque le témoin situé à côté de la sélection désirée est allumé. Appuyer sur le bouton pour confirmer la sélection.

[†]Tous les réglages et toutes les options ne sont pas disponibles sur tous les programmes. Voir "Guide de programmes" pour les options et les réglages disponibles.

11. Sélectionner toute option supplémentaire†



Après avoir réglé la température ou la vitesse d'essorage, le témoin lumineux au-dessus du bouton "Options" s'allume. Tourner le bouton pour sélectionner les options souhaitées. En tournant le bouton, les symboles d'option situés au-dessus du bouton d'options s'allument un à la fois. Arrêter de tourner lorsque le témoin situé à côté de l'option désirée est allumé. Appuyer sur le bouton pour confirmer la sélection.

12. Appuyer sur le bouton de MISE EN MARCHE/PAUSE pour démarrer le programme de lavage



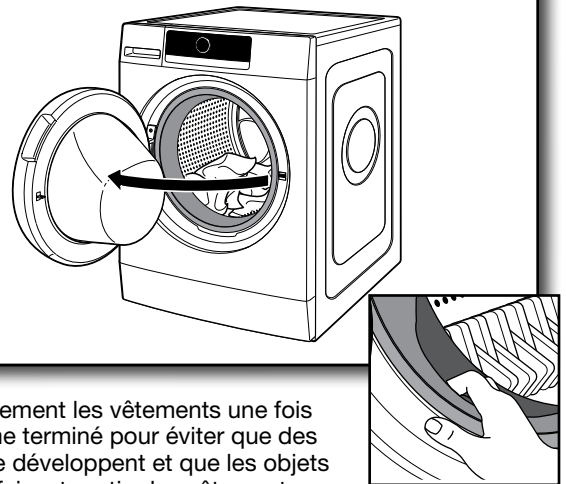
Appuyer sur le bouton de MISE EN MARCHE/PAUSE pour démarrer le programme de lavage. Pour suspendre un programme en cours, appuyer une fois sur le bouton de MISE EN MARCHE/PAUSE, puis appuyer de nouveau pour poursuivre le programme. Pour annuler un programme, appuyer sur le bouton de mise sous tension.

Après avoir appuyé sur le bouton de MISE EN MARCHE/PAUSE, la porte se verrouille. La porte de la laveuse demeurera verrouillée durant le programme de lavage.

13. Appuyer sur le bouton de mise sous tension pour éteindre la laveuse une fois le programme terminé

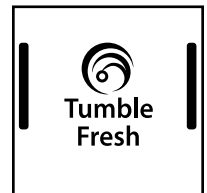


14. Retirer rapidement les vêtements une fois le programme terminé



Retirer rapidement les vêtements une fois le programme terminé pour éviter que des odeurs ne se développent et que les objets métalliques faisant partie des vêtements ne rouillent. Lorsqu'on décharge les vêtements, tirer le dispositif de verrouillage de la porte et vérifier qu'il ne reste pas de petits articles entre la cuve et le tambour.

Si l'on n'est pas en mesure de retirer rapidement la charge, utiliser l'option TumbleFresh™. Si l'on sélectionne TumbleFresh™, la laveuse fait culbuter la charge périodiquement pendant un maximum de 6 heures. Pour désactiver l'option TumbleFresh™, appuyer sur le bouton de MISE SOUS/HORS TENSION. Pour que l'option TumbleFresh™ ne s'active pas pour les prochains programmes, appuyer sur le bouton TUMBLEFRESH.



REMARQUES :

- La porte se verrouille tant que l'option TumbleFresh™ est active. Pour annuler l'option et déverrouiller la porte, appuyer sur le bouton de mise sous tension.
- Il est possible qu'une petite quantité d'eau reste dans les distributeurs une fois le programme de lavage terminé. Ceci est normal.
- Cette laveuse dispose d'une fermeture étanche pour éviter les fuites d'eau. Pour éviter la formation d'odeurs, laisser la porte ouverte afin de permettre à la laveuse de sécher entre deux utilisations.

†Tous les réglages et toutes les options ne sont pas disponibles sur tous les programmes. Voir "Guide de programmes" pour les options et les réglages disponibles.

Entretien de la laveuse

TUYAUX D'ARRIVÉE D'EAU

Remplacer le tuyau d'arrivée d'eau après cinq ans d'utilisation pour réduire le risque de défaillance intempestive. Inspecter périodiquement le tuyau et le remplacer en cas de renflement, de déformation, de coupure et d'usure ou si une fuite se manifeste.

Lors du remplacement du tuyau d'arrivée d'eau :

- Noter la date de remplacement au marqueur indélébile sur l'étiquette.
- Vérifier que la vieille rondelle n'est pas coincée dans la valve d'entrée de la laveuse.
- Utiliser de nouvelle rondelle avec le nouveau tuyau d'entrée pour assurer une bonne étanchéité.

ENTRETIEN DE LA LAVEUSE

Recommandations pour le maintien de la propreté de la laveuse et du niveau de performance optimal

1. Utiliser toujours un détergent HE (Haute efficacité) et employer la quantité de détergent recommandée par le fabricant du détergent HE. Ne jamais utiliser plus que la quantité recommandée de détergent, car ceci peut augmenter le taux d'accumulation de résidus de détergent et de souillures à l'intérieur de la laveuse, ce qui pourrait entraîner la formation d'odeurs indésirables.
2. Exécuter périodiquement des lavages avec de l'eau tiède ou chaude (et non pas exclusivement des lavages à l'eau froide), car l'eau chaude permet de contrôler plus efficacement la vitesse à laquelle les saletés et les résidus de détergent s'accumulent.
3. Veiller à toujours laisser la porte de la laveuse ouverte entre deux utilisations pour qu'elle puisse sécher, et pour éviter l'accumulation de résidus générateurs d'odeurs.
4. Nettoyer périodiquement les résidus s'accumulant sur les surfaces intérieures du hublot en verre. Pour un meilleur entretien, passer un linge humide sur toute la partie intérieure du hublot de la porte.

Nettoyage de la laveuse à chargement par l'avant

Lire complètement ces instructions avant d'entreprendre les opérations de nettoyage de routine recommandées ci-dessous. Le processus d'entretien de la laveuse doit être exécuté au moins une fois par mois ou à intervalles de 30 lavages (selon la période la plus courte des deux); ceci permettra de contrôler la vitesse à laquelle les résidus de détergent et les souillures s'accumulent dans la laveuse.

Nettoyage du joint de la porte

1. Ouvrir le couvercle de la laveuse et retirer tous les vêtements ou articles présents dans la laveuse.
2. Inspecter le joint entre l'embrasure de la porte et le tambour – noter toute zone tachée ou d'accumulation de souillures. Tirer sur le joint pour examiner complètement la zone qui se trouve en dessous et vérifier qu'elle est libre de tout objet étranger.
3. S'il y a des zones tachées ou d'accumulation de souillures, nettoyer ces zones du joint par essuyage, selon la méthode ci-dessous :

Une fois le programme terminé, tirer doucement sur le joint en caoutchouc de la porte et nettoyer toute la surface avec la face texturée d'une lingette affresh® pour nettoyer la machine affresh®.

ENTRETIEN DE LA LAVEUSE (suite)

Nettoyage de l'intérieur de la laveuse

Cette laveuse comporte un programme spécial qui utilise des volumes d'eau plus importants, en combinaison avec le nettoyant pour laveuse affresh® pour un nettoyage en profondeur de l'intérieur de la laveuse. Les modèles avec génération de vapeur utilisent également la vapeur avec ce programme spécial pour le nettoyage approfondi de l'appareil.

REMARQUE : Lire ces instructions complètement avant de débiter la procédure de nettoyage.

Commencement du processus de nettoyage

Programme de nettoyage de la laveuse avec affresh® (Recommandé – Performance supérieure) :

- a. Ouvrir la porte de la laveuse; retirer tous les articles présents dans la laveuse.
- b. Utiliser une lingette affresh® pour nettoyer la machine, un tissu doux mouillé ou une éponge pour nettoyer l'intérieur de la porte en verre.
- c. Ajouter une pastille de nettoyant pour laveuse affresh® dans le tambour de la laveuse.
- d. Ne pas ajouter de pastille de nettoyant pour laveuse affresh® dans le tiroir du distributeur.
- e. Ne pas ajouter de détergent ou autre composé chimique dans la laveuse lors de l'exécution de cette procédure.
- f. Fermer la porte de la laveuse.
- g. Sélectionner le programme Clean Washer With affresh® (nettoyage de la laveuse avec affresh®).
- h. Sélectionner l'option TumbleFresh™ option pour mieux sécher l'intérieur de la laveuse une fois le programme terminé.

REMARQUE : La laveuse garde en mémoire votre dernière sélection d'option et la sélectionnera pour vos prochains programmes de lavage, à moins que cette option soit retirée.

- i. Appuyer sur le bouton de mise en marche/pause pour lancer le programme. Le processus du programme de nettoyage avec affresh® de la laveuse est décrit ci-dessous.

Description de l'utilisation du programme Clean Washer with affresh® (nettoyage de la laveuse avec affresh®) :

1. Ne pas faire fonctionner ce programme avec une charge. Cela pourrait endommager les articles.
2. Une fois le programme terminé, laisser la porte entrouverte pour une meilleure aération et pour que l'intérieur de la laveuse puisse sécher.

Nettoyage des distributeurs

Après avoir utilisé la laveuse pendant longtemps, on peut parfois constater une accumulation de résidus dans les distributeurs de la laveuse. Pour éliminer les résidus dans les distributeurs, retirer le tiroir et essuyer les surfaces avec un affresh® Machine Cleaning Wipe ou un chiffon humide, et sécher avec une serviette avant ou après l'exécution d'un programme de nettoyage avec affresh® de la laveuse. Si nécessaire, utiliser un nettoyant tout-usage.

IMPORTANT : Le distributeur n'est pas lavable au lave-vaisselle.

Nettoyage de l'extérieur de la laveuse

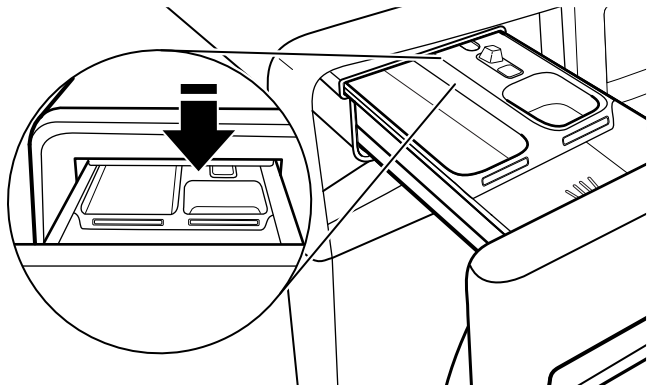
Utiliser une lingette affresh® pour nettoyer la machine ou une éponge ou un chiffon doux et humide pour essuyer les renversements. Essuyer de temps en temps les surfaces externes de la laveuse pour entretenir son aspect neuf. Utiliser une lingette affresh® pour nettoyer la machine ou de l'eau et un savon doux.

IMPORTANT : Afin d'éviter d'endommager le revêtement de la laveuse, ne pas utiliser de produits abrasifs.

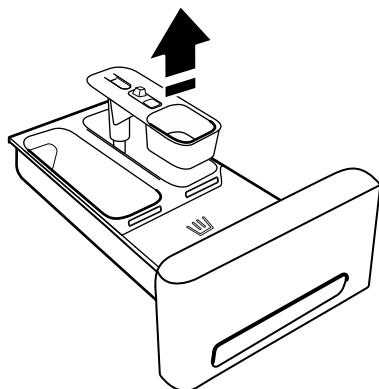
POUR RETIRER LE DISTRIBUTEUR

Pour retirer :

1. Tirer le tiroir du distributeur jusqu'à la butée.
2. Appuyer sur la patte de déverrouillage et dégager le distributeur en le tirant tout droit.

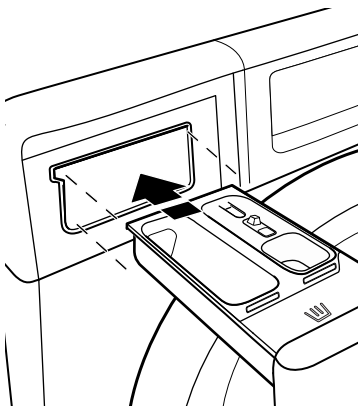


3. Soulever le panneau du couvercle et le tiroir tout droit vers le haut pour le retirer.



Pour remettre :

1. Réinstaller le panneau du couvercle en le faisant glisser sur les pitons du distributeur.
2. Aligner les bords du distributeur avec les guides situés dans la laveuse puis réinsérer le distributeur dans la fente en le faisant glisser.



NON UTILISATION ET ENTRETIEN EN PÉRIODE DE VACANCES

Faire fonctionner la laveuse seulement lorsqu'on est présent. En cas de déménagement ou si l'on n'utilise pas la laveuse pendant longtemps, suivre les étapes suivantes :

1. Débrancher la laveuse ou déconnecter la source de courant électrique.
2. Fermer l'alimentation en eau à la laveuse pour éviter toute inondation due à une surpression.

CONSEIL UTILE : Fixer une note à la laveuse pour rappeler d'ouvrir de nouveau l'eau avant de l'utiliser à nouveau.

3. Nettoyer les distributeurs. Voir "Nettoyage des distributeurs".

ENTRETIEN POUR ENTREPOSAGE HIVERNAL

IMPORTANT : Pour éviter tout dommage, installer et remettre la laveuse à l'abri du gel. L'eau qui peut rester dans les tuyaux risque d'abîmer la laveuse en temps de gel. Si la laveuse doit faire l'objet d'un déménagement ou d'entreposage au cours d'une période de gel, hiverner la laveuse.

Hivérization de la laveuse :

1. Fermer les deux robinets d'eau; déconnecter et vidanger les tuyaux d'arrivée d'eau.

CONSEIL UTILE : Fixer une note à la laveuse pour rappeler d'ouvrir de nouveau l'eau avant de l'utiliser à nouveau.

2. Placer 1 pte (1 L) d'antigel pour véhicule récréatif dans le tambour de la laveuse et faire fonctionner la laveuse sur un programme Nomal pendant environ 2 minutes pour mélanger l'antigel et l'eau restante.
3. Débrancher la laveuse ou déconnecter la source de courant électrique.

TRANSPORT DE LA LAVEUSE

1. Fermer les deux robinets d'eau; déconnecter et vidanger les tuyaux d'arrivée d'eau.
2. Si l'on déplace la laveuse pendant une période de gel, suivre les instructions de la section "Entretien pour entreposage hivernal" avant de la déplacer.
3. Déconnecter le tuyau d'évacuation du système d'évacuation et de l'arrière de la laveuse.
4. Débrancher le cordon d'alimentation.
5. Placer les tuyaux d'arrivée d'eau et le tuyau d'évacuation dans le tambour de la laveuse.
6. Enrouler le cordon d'alimentation et l'attacher avec un élastique ou avec un attache-câble pour l'empêcher de traîner sur le plancher.

IMPORTANT : Demander une intervention de dépannage si l'on doit installer de nouveau boulons de transport. Ne pas réutiliser les boulons de transport. La laveuse doit être transportée en position verticale. Afin d'éviter d'endommager la structure de la laveuse, celle-ci doit être correctement installée pour pouvoir être déplacée par un technicien agréé.

⚠ AVERTISSEMENT



Risque de choc électrique

Brancher sur une prise à 3 alvéoles reliée à la terre.

Ne pas enlever la broche de liaison à la terre.

Ne pas utiliser un adaptateur.

Ne pas utiliser un câble de rallonge.

Le non-respect de ces instructions peut causer un décès, un incendie ou un choc électrique.

RÉINSTALLATION/RÉUTILISATION DE LA LAVEUSE

Pour réinstaller la laveuse après une période de non-utilisation, de vacances, de remisage pour l'hiver ou après un déménagement :

1. Consulter les "Instructions d'installation" pour choisir l'emplacement, régler l'aplomb de la laveuse et la raccorder.
2. Avant de réutiliser la laveuse, exécuter la procédure recommandée suivante :

Remise en marche de la laveuse :

1. Vidanger les canalisations d'eau et le tuyau.
Reconnecter le tuyau d'arrivée d'eau. Ouvrir le robinet d'eau.
2. Brancher la laveuse ou reconnecter la source de courant électrique.
3. Faire exécuter à la laveuse le programme Heavy Duty (service intense) pour nettoyer la laveuse et éliminer l'antigel, le cas échéant. Utiliser uniquement un détergent HE. Utiliser la moitié de la quantité recommandée par le fabricant pour une charge de taille moyenne.

⚠ AVERTISSEMENT



Risque de choc électrique

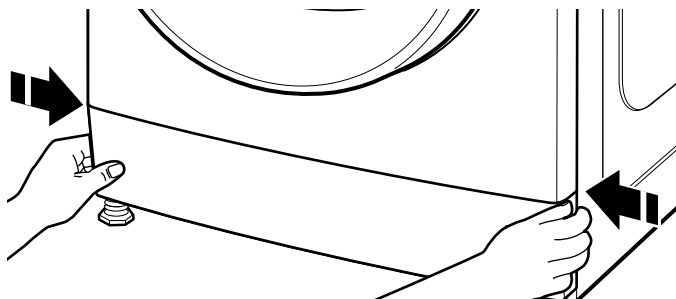
Déconnecter la source de courant électrique avant le nettoyage.

Replacer pièces et panneaux avant de faire la remise en marche.

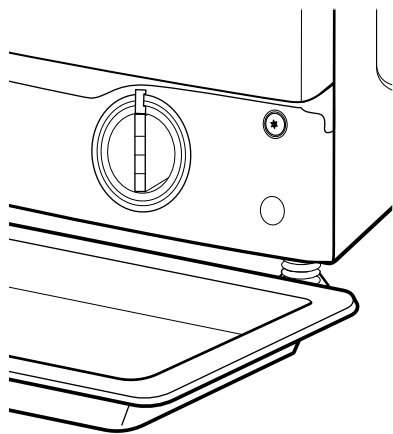
Le non-respect de ces instructions peut causer un décès ou un choc électrique.

NETTOYAGE DU FILTRE DE LA POMPE DE VIDANGE/VIDANGE DE L'EAU RÉSIDUELLE

1. Appuyer sur l'onglet situé de chaque côté de la base du panneau pour le dégager, puis l'enlever.

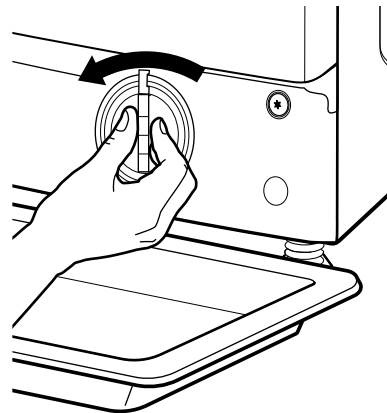


2. Placer un contenant large et plat sous le filtre de la pompe de vidange pour ramasser l'eau.

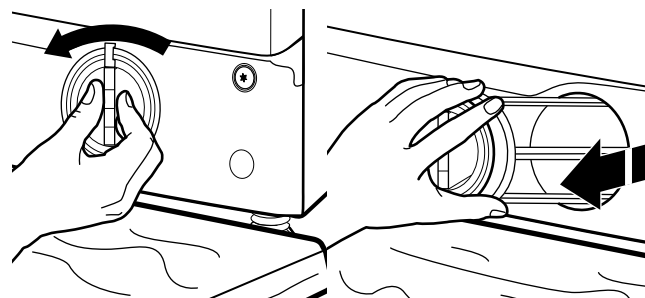


NETTOYAGE DU FILTRE DE LA POMPE DE VIDANGE/VIDANGE DE L'EAU RÉSIDUELLE (suite)

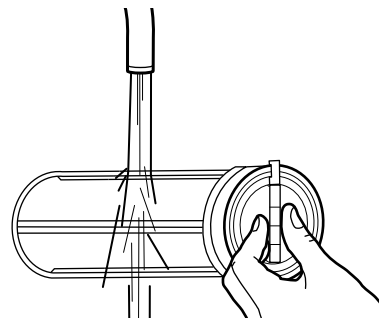
3. Faire lentement tourner le filtre dans le sens antihoraire jusqu'à ce que l'eau s'écoule. Laisser l'eau s'écouler sans enlever le filtre. Une fois le contenant plein, fermer le filtre de la pompe de vidange en tournant dans le sens horaire. Vider le contenant. Répéter la procédure jusqu'à ce qu'il n'y ait plus d'eau.



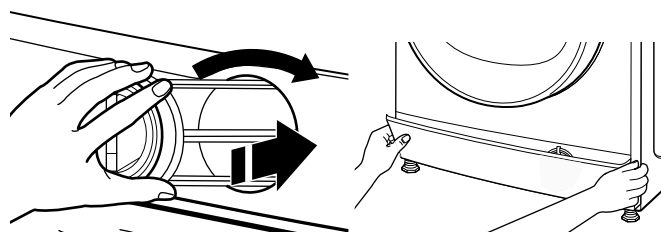
4. Déposer un tissu en coton sous le filtre de la pompe de vidange pour absorber l'eau restante. Retirer ensuite le filtre de la pompe de vidange en tournant dans le sens antihoraire.



5. Enlever les résidus du filtre en le rinçant à l'eau.



6. Replacer le filtre de la pompe de vidange en tournant dans le sens horaire. S'assurer de tourner aussi loin que possible en gardant la poignée du filtre à gauche en position verticale. Pour vérifier l'étanchéité du filtre de la pompe de vidange, verser 1 litre d'eau dans le distributeur de détergent. Réinstaller le panneau de la base.



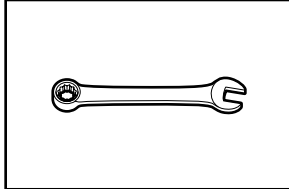
INSTRUCTIONS D'INSTALLATION

Exigences d'installation

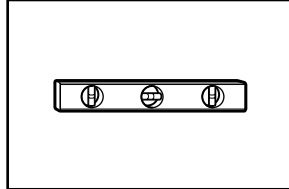
Outils et pièces

Rassembler les outils et composants nécessaires avant d'entreprendre le processus d'installation.

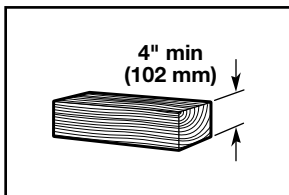
Outillage nécessaire :



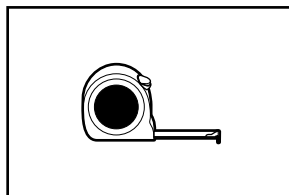
Clés plates ou clés à molette de 3/8" (10 mm) et 1/2" (13 mm)



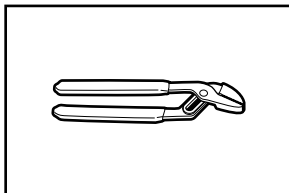
Niveau



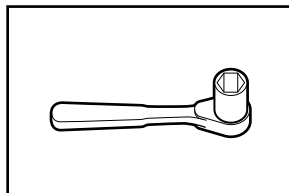
Cale de bois



Règle ou mètre ruban



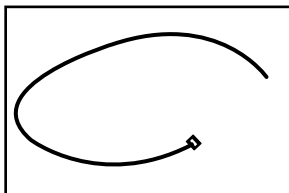
Pince qui s'ouvre à 1 1/16" (39,5 mm)



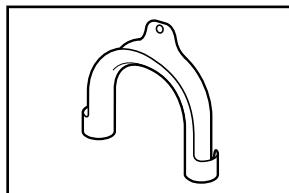
Clé à douille de 3/8" (10 mm)

Pièces fournies :

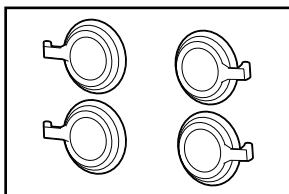
REMARQUE : Toutes les pièces fournies pour l'installation se trouvent dans le tambour de la laveuse. Les tuyaux d'arrivée d'eau et les rondelles ne sont pas compris.



Attache de fixation

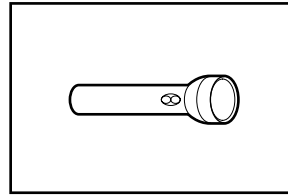


Bride de formage en U pour tuyau d'évacuation

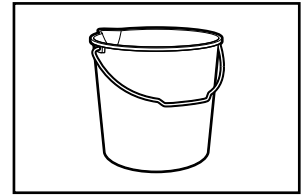


Bouchon pour trous de boulons de transport (4)

Outillage facultatif :



Torche électrique



Seau

Autres pièces : (Non fournies avec la laveuse)

Il se peut que l'installation nécessite des pièces supplémentaires. Pour commander, composer le numéro sans frais indiqué au dos de ce manuel.

Si vous avez :

Évier de buanderie ou tuyau de rejet à l'égout plus haut que 55" (1,4 m)
Égout surélevé

Système de vidange avec tuyau de rejet à l'égout au plancher

Tuyau de vidange trop court

Robinet d'eau hors d'atteinte des tuyaux d'alimentation

Il vous faudra :

Système de pompe de puisard (si non déjà disponible)

Tuyau rigide d'évacuation standard de 20 gal. (76 L) de 30" (762 mm) de haut ou évier de décharge, pompe de puisard et connecteurs (disponibles chez les vendeurs de matériel de plomberie locaux)

Ensemble de brise-siphon
Numéro de pièce 285834
Ensemble de raccord (x2)
Numéro de pièce 285835
Tuyau de vidange supplémentaire
Numéro de pièce 8318155

Rallonge de tuyau d'évacuation
Numéro de pièce 285863
Ensemble de raccord
Numéro de pièce 285835

2 tuyaux de remplissage plus longs :
6 pi (1,8 m)
Numéro de pièce 76314
10 pi (3,0 m)
Numéro de pièce 350008

Accessoires disponibles :

- Un ensemble de superposition est disponible pour superposer votre laveuse et votre sècheuse.
- Un piédestal assorti facultatif est disponible pour amener la laveuse à une hauteur d'utilisation plus confortable.

Pour commander, téléphoner au marchand qui vous a vendu la laveuse ou consulter la section "Assistance ou service".

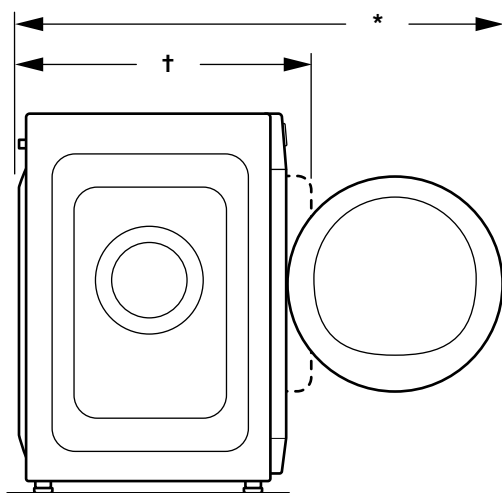
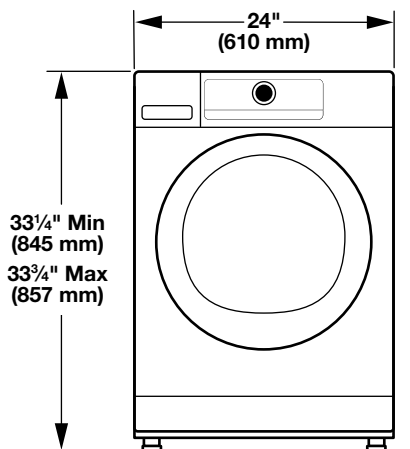
Exigences d'emplacement

C'est à l'utilisateur qu'incombe la responsabilité de réaliser une installation correcte.

Il vous faudra :

- Une prise électrique reliée à la terre et située à moins de 5,4 pi (1,7 m) du cordon d'alimentation à l'arrière de la laveuse.
- Un robinet d'eau froide situé à 4 pi (1,2 m) maximum du valve de remplissage, et une pression d'eau de 20 à 100 lb/po² (137,9 à 689,6 kPa).
- Un plancher de niveau ayant une pente maximale de 1" (25 mm) sous l'ensemble de la laveuse. Il n'est pas recommandé de l'installer sur un tapis, de la moquette ou des surfaces avec endos en mousse.
- Un plancher capable de supporter le poids total de 400 lb (180 kg) de la laveuse (eau et charge compris).

IMPORTANT : Ne pas installer, remiser ou faire fonctionner la laveuse à un emplacement où elle sera exposée aux intempéries ou à des températures inférieures à 32°F (0°C). De l'eau restée dans la machine après utilisation peut causer des dommages à basse température. Voir "Entretien de la laveuse" pour plus d'informations sur l'hivernisation.



*Modèles de 2,3 en pi³ : 42¹⁵/₁₆" (1091 mm)
Modèles de 1,9 en pi³ : 41⁵/₈" (1057 mm)

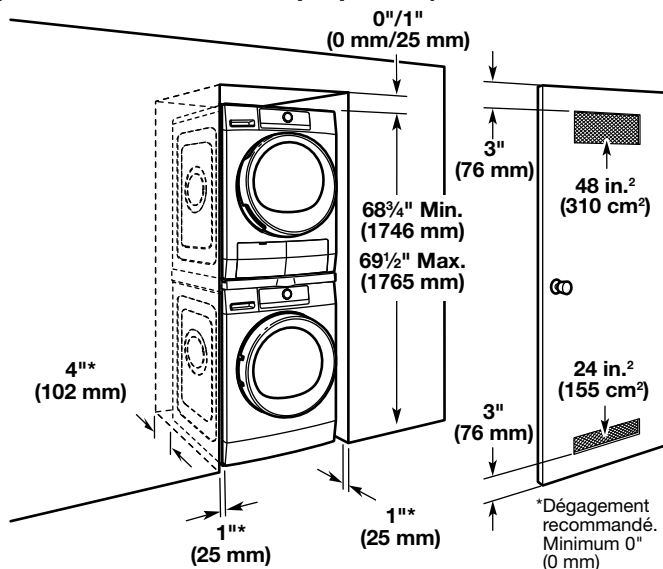
†Modèles de 2,3 en pi³ : 25¹/₈" (638 mm)
Modèles de 1,9 en pi³ : 24" (610 mm)

Les dimensions représentent les dégagements recommandés permis, hormis pour les ouvertures de ventilation de la porte du placard qui correspondent aux dimensions minimales nécessaires.

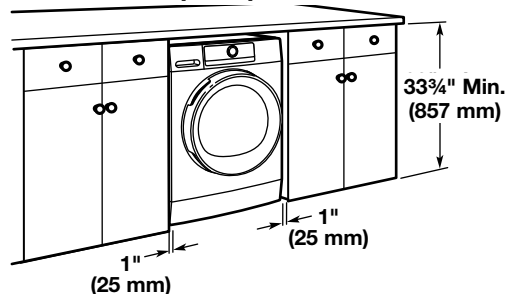
Pour chaque type de configuration, prévoir davantage de dégagement pour faciliter l'installation et l'entretien : laisser suffisamment de dégagement pour les appareils ménagers voisins et pour les murs, les portes et les plinthes.

L'espacement doit être assez grand pour permettre d'ouvrir complètement la porte. Ajouter un espace supplémentaire de 1" (25 mm) de tous les côtés de la laveuse pour réduire le transfert de bruit. Si l'on installe une porte de placard ou une porte à persiennes, des ouvertures d'aération au sommet et au bas de la porte sont nécessaires.

Installation dans un encastrement ou un placard (laveuse et sècheuse superposées) :

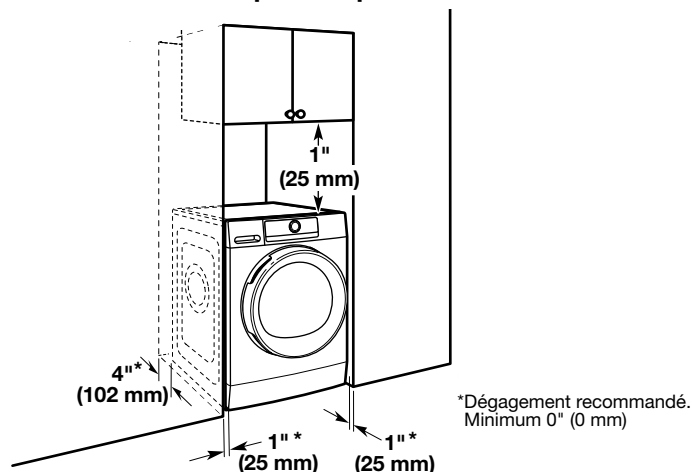


Installation sous comptoir personnalisée :



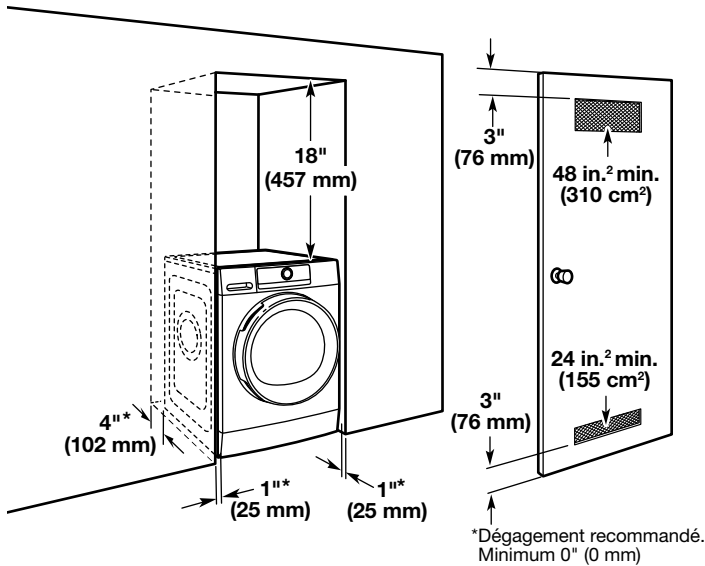
IMPORTANT : Lorsque l'on installe sous un plan de travail avec une sècheuse, consulter les instructions d'installation de la sècheuse pour l'espace de dégagement.

Installation dans un placard personnalisée :



Exigences d'emplacement (suite)

Installation dans un placard (laveuse uniquement) :

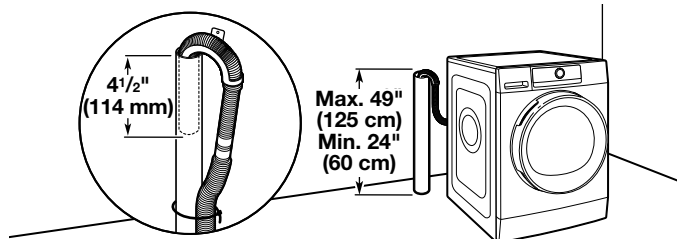


Système de vidange

Le système de vidange de la laveuse peut être installé à l'aide d'un avaloir sol, un tuyau rigide de rejet à l'égout mural, un tuyau rigide de rejet à l'égout au sol ou un évier de buanderie. Sélectionner la méthode à utiliser.

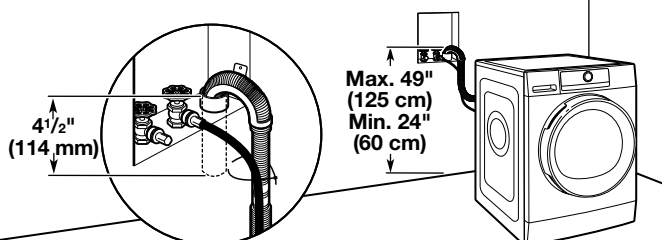
IMPORTANT : Pour éviter un effet de siphon, pas plus de 4 1/2" (114 mm) de tuyau de vidange ne devrait être inséré à l'intérieur de la canalisation d'évacuation. Toujours immobiliser le tuyau de vidange avec un serre-câble.

Système de vidange avec tuyau de rejet à l'égout au plancher



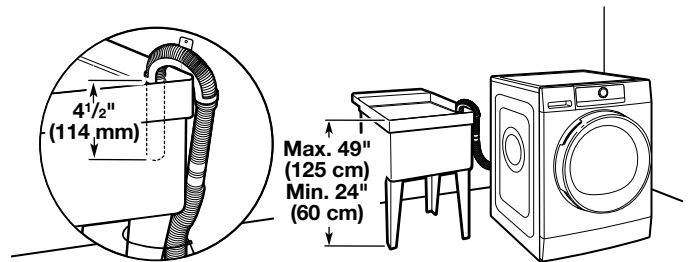
Diamètre minimal pour un tuyau de rejet à l'égout : 2" (51 mm). Capacité minimale d'écoulement : 17 gal. (64 L) par minute. Un ensemble d'adaptateur de tuyau rigide de rejet à l'égout de 1/4" (6 mm) à 1" (25 mm) de diamètre est disponible (pièce numéro 3363920). Le sommet du tuyau de rejet à l'égout doit avoir une hauteur d'au moins 24" (60 cm); ne pas l'installer à plus de 49" (125 cm) du bas de la laveuse. Si une canalisation de drain au-dessus de la tête est utilisée et que l'eau doit être pompée à une hauteur supérieure à 96 po, une pompe de vidange et sa quincaillerie sont requises. Voir "Pièces supplémentaires".

Système de vidange avec tuyau de rejet à l'égout mural



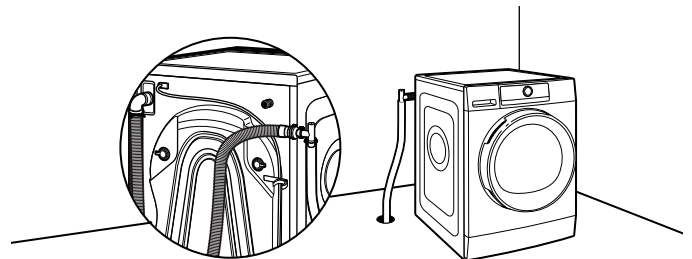
Voir les exigences pour le système de vidange avec tuyau de rejet à l'égout au plancher.

Système de vidange dans un évier de buanderie



Capacité minimale : 20 gal. (76 L). Le sommet de l'évier de buanderie doit se trouver à au moins 24" (60 cm) du plancher; ne pas l'installer à plus de 49" (125 cm) du fond de la laveuse.

Système de vidange au plancher



Le système de vidange au plancher nécessite un ensemble de brise-siphon (pièce numéro 285834), deux ensembles de raccordement (pièce numéro 285835) et une rallonge de tuyau de vidange (pièce numéro 285863) qui peuvent être achetés séparément. Voir "Pièces supplémentaires". Le brise-siphon doit être à au moins 28 po (710 mm) du bas de la laveuse. (Des tuyaux supplémentaires peuvent être requis).

Spécifications électriques

AVERTISSEMENT



Risque de choc électrique

Brancher sur une prise à 3 alvéoles reliée à la terre.

Ne pas enlever la broche de liaison à la terre.

Ne pas utiliser un adaptateur.

Ne pas utiliser un câble de rallonge.

Le non-respect de ces instructions peut causer un décès, un incendie ou un choc électrique.

- Chaque appareil doit être alimenté par un circuit 120 volts, CA seulement, 60 Hz protégé par un fusible de capacité 15 A ou 20 A. Il est recommandé d'utiliser un fusible ou un disjoncteur temporisé. Il est recommandé de raccorder l'appareil sur un circuit distinct exclusif à cet appareil.
- Cette laveuse comporte un cordon d'alimentation électrique à trois broches pour liaison à la terre.
- Pour minimiser les risques de choc électrique, on doit brancher le cordon sur une prise de courant de configuration correspondante, à 3 alvéoles, reliée à la terre et installée conformément aux codes et règlements locaux. Si une prise de courant de configuration correspondante n'est pas disponible, le client a la responsabilité et l'obligation de faire installer par un électricien qualifié une prise de courant correctement reliée à la terre.
- Si les codes le permettent et si l'on utilise un conducteur distinct de liaison à la terre, il est recommandé qu'un électricien qualifié vérifie la qualité de la liaison à la terre.
- Ne pas utiliser une tuyauterie de gaz pour le raccordement à la terre.
- En cas de doute quant à la qualité de la liaison à la terre de la laveuse, consulter un électricien qualifié.
- Ne pas installer un fusible dans le conducteur neutre ou le circuit de liaison à la terre.

INSTRUCTIONS DE LIAISON À LA TERRE

Pour une laveuse reliée à la terre et connectée par un cordon :

Cette laveuse doit être reliée à la terre. En cas d'anomalie de fonctionnement ou de panne, la liaison à la terre réduira le risque de choc électrique en offrant au courant électrique un itinéraire d'évacuation de moindre résistance. Cette laveuse est alimentée par un cordon électrique comportant un conducteur relié à la terre et une fiche de branchement munie d'une broche de liaison à la terre. La fiche doit être branchée sur une prise de courant appropriée qui est bien installée et reliée à la terre conformément à tous les codes et règlements locaux.

AVERTISSEMENT : Le raccordement incorrect de cet appareil au conducteur de liaison à la terre peut susciter un risque de choc électrique. En cas de doute quant à la qualité de la liaison à la terre de l'appareil, consulter un électricien ou technicien d'entretien qualifié.

Ne pas modifier la fiche de branchement fournie avec l'appareil – si la fiche ne correspond pas à la configuration de la prise de courant, demander à un électricien qualifié d'installer une prise de courant convenable.

Pour une laveuse raccordée en permanence :

Cette laveuse doit être raccordée à un système de câblage permanent en métal relié à la terre ou un conducteur relié à la terre doit être en fonction avec les conducteurs de circuit et raccordés à la borne de liaison à la terre ou la borne sur l'appareil ménager.

Instructions d'installation

⚠ AVERTISSEMENT

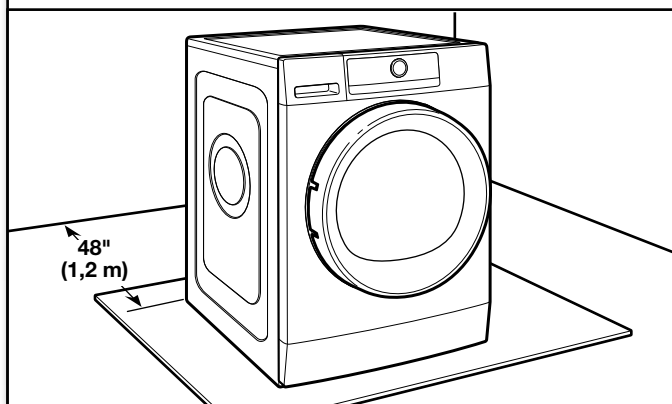
Risque du poids excessif

Utiliser deux ou plus de personnes pour déplacer et installer la laveuse.

Le non-respect de cette instruction peut causer une blessure au dos ou d'autre blessure.

REMARQUE : Pour éviter d'endommager le plancher, installer la laveuse sur un carton avant de la déplacer.

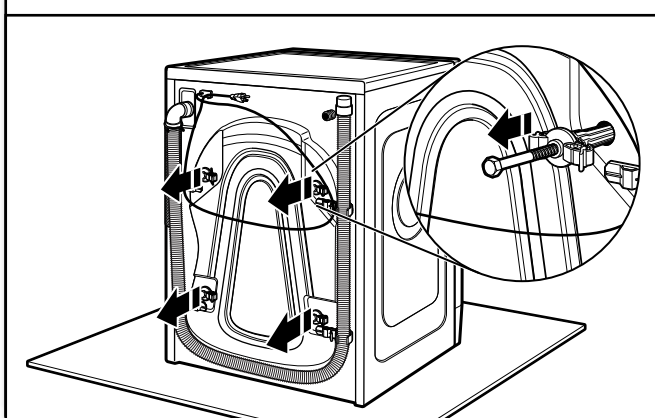
1. Déplacer la laveuse



Il est nécessaire de retirer tout le matériel d'expédition pour un fonctionnement correct et pour éviter que la laveuse ne fasse trop de bruit.

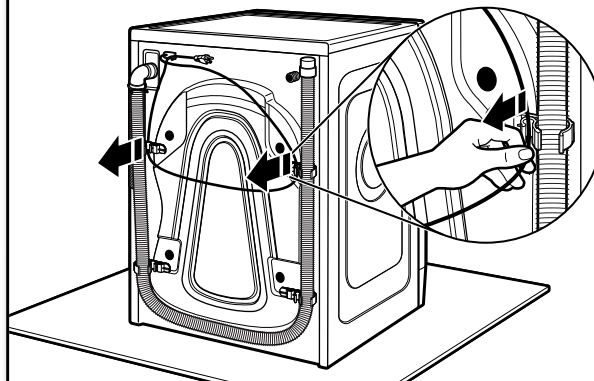
Déplacer la laveuse à moins de 48 pi (1,2 m) de son emplacement final. Elle doit être en position complètement verticale.

2. Retirer les boulons de transport de la laveuse



Desserrer les boulons avec une clé à molette de 3/8" (10 mm). Une fois le boulon desserré, tirer en remuant pour faire sortir complètement les boulons et la prise d'expédition.

3. Retirer le cordon d'alimentation des attaches des attaches

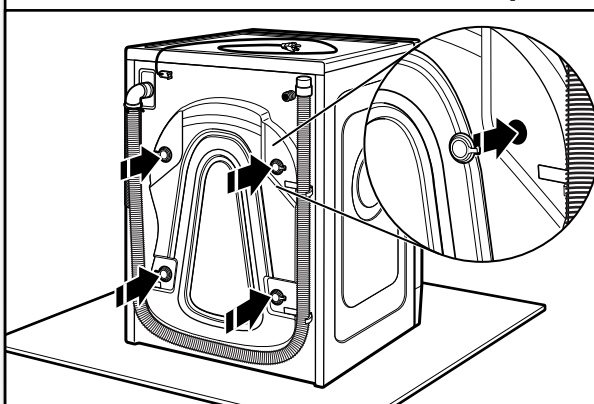


Enlever le cordon d'alimentation des pinces et le placer sur le dessus de la laveuse pour permettre l'accès à l'arrière de la laveuse.

REMARQUE : Si la laveuse est transportée à une date ultérieure, appeler le centre de service local. Afin d'éviter d'endommager la suspension et la structure de la laveuse, celle-ci doit être correctement installée pour pouvoir être déplacée par un technicien agréé.

IMPORTANT : Ne pas brancher la laveuse avant d'avoir terminé l'installation.

4. Recouvrir les trous des boulons avec les bouchons d'obturation de trous de boulons de transport

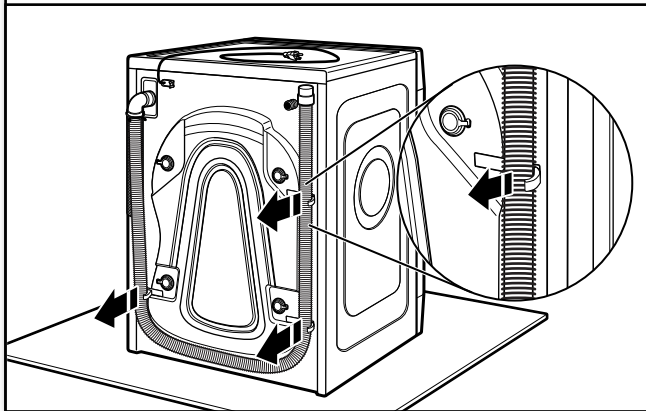


Obturer les trous des boulons à l'arrière du placard à l'aide des bouchons d'obturation des trous de boulons de transport fournis avec les pièces de la laveuse.

Acheminer le tuyau d'évacuation

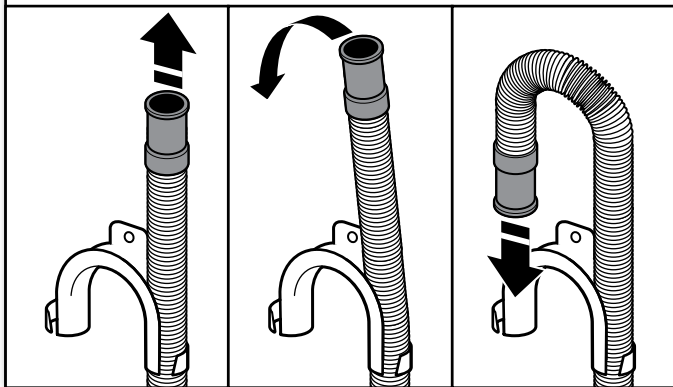
Le bon acheminement du tuyau de vidange protège vos planchers contre les dommages liés à une fuite d'eau. Lire et suivre ces instructions.

5. Retirer le tuyau de vidange de la laveuse



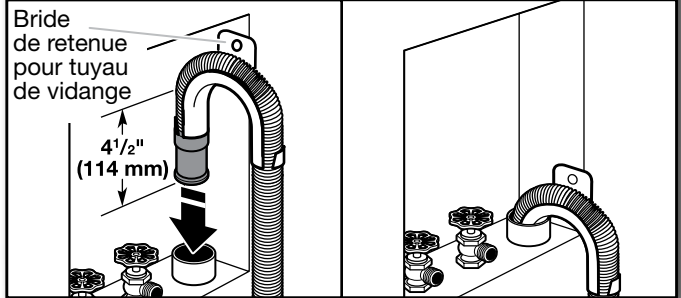
Tirer doucement pour dégager le tuyau d'évacuation en matériau ondulé des agrafes d'arrimage.

6. Raccorder le système de vidange de l'évier de buanderie ou la courroie du tuyau rigide de rejet à l'égout (installations avec vidange au plancher uniquement)



Pour les installations avec vidange au plancher, il faut retirer la bride de retenue pour tuyau de vidange de l'extrémité du tuyau de vidange. Des pièces supplémentaires avec des directives distinctes seront peut-être nécessaires. Voir "Pièces supplémentaires".

7. Placer le tuyau de vidange dans le tuyau de rejet à l'égout



Placer le tuyau dans le tuyau de rejet à l'égout (illustré à l'image) ou par-dessus le côté de l'évier de buanderie.

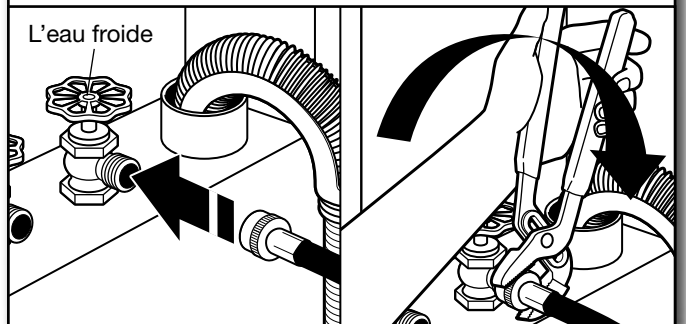
IMPORTANT : Il ne doit pas y avoir plus de 4 1/2" (114 mm) de tuyau de vidange à l'intérieur du tuyau de rejet à l'égout; ne pas forcer l'excédent de tuyau dans le tuyau de rejet à l'égout ni le placer dans l'évier de buanderie. On doit utiliser la bride de retenue pour tuyau de vidange.

Raccorder la tuyau d'arrivée

La laveuse doit être raccordée au robinet d'eau froide à l'aide du tuyau d'arrivée d'eau et d'une rondelle neuf. Ne pas utiliser du tuyau usagé.

REMARQUE : Le tuyau doit être fixé et l'eau doit pénétrer dans la valve d'arrivée.

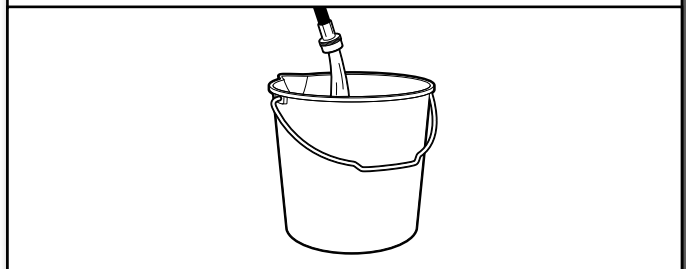
8. Raccorder les tuyaux d'arrivée d'eau aux robinet



Fixer un tuyau au robinet d'eau froide. Visser le raccord à la main pour qu'il repose sur la rondelle. Serrer les raccords de deux tiers de tour supplémentaires à l'aide d'une pince.

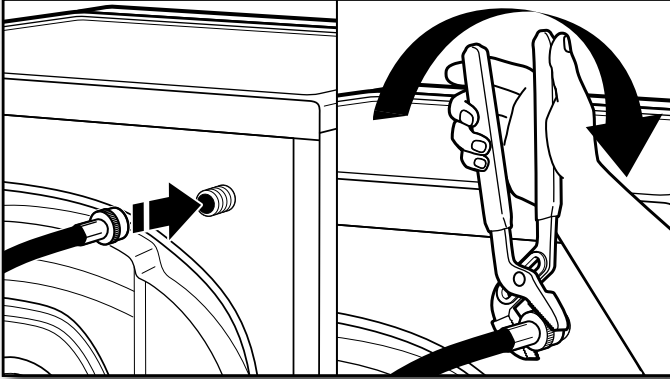
IMPORTANT : Ne pas serrer excessivement ni utiliser de ruban adhésif ou de dispositifs d'étanchéité sur la valve lors de la fixation des robinets ou de la laveuse. Cela pourrait entraîner des dommages.

9. Purger la canalisation d'eau



Faire couler de l'eau dans le tuyau de l'évier de buanderie, le tuyau rigide de rejet à l'égout ou le seau pendant quelques secondes pour éviter toute obstruction. On doit laisser couler l'eau jusqu'à ce qu'elle soit limpide.

10. Connecter la tuyau d'arrivée d'eau à la laveuse

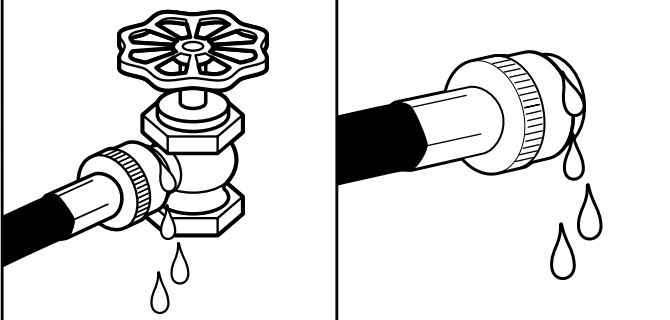


Fixer le tuyau d'eau au robinet d'arrivée d'eau. Visser le raccord à la main jusqu'à ce qu'il soit bien serré. Serrer les raccords de deux tiers de tour supplémentaires à l'aide d'une pince.

IMPORTANT : Pour réduire le risque de défaillance des tuyaux, remplacer les tuyaux tous les 5 ans. Inscrire la date d'installation ou de remplacement des tuyaux pour référence ultérieure.

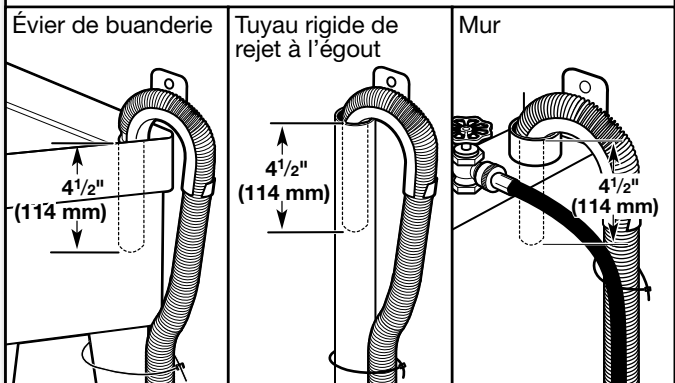
- Inspecter périodiquement les tuyaux; les remplacer en cas de renflement, de déformation, de coupure et d'usure ou de fuite.

11. Recherche de fuites



Ouvrir lentement le robinet d'eau et vérifier l'absence de fuites. Une petite quantité d'eau peut entrer dans la laveuse. Elle s'évacuera plus tard.

12. Fixer le tuyau de vidange

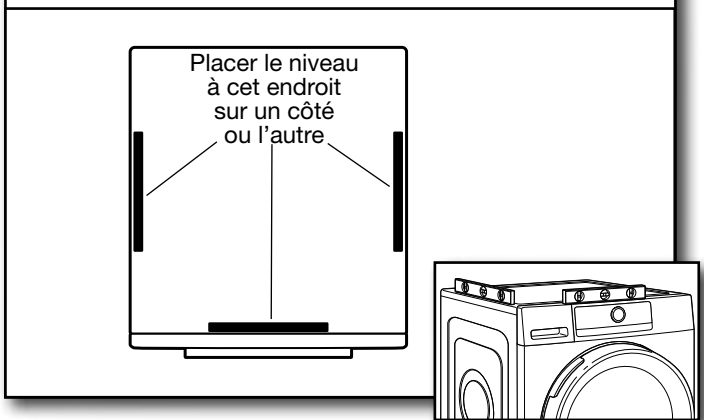


Fixer le tuyau de vidange avec le serre-câble au pied de l'évier de buanderie, au tuyau rigide de rejet à l'égout ou aux tuyaux d'arrivée d'eau pour le tuyau de rejet à l'égout mural rigide.

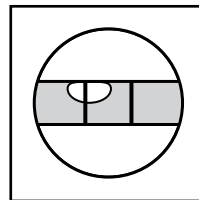
Réglage de l'aplomb de la laveuse

L'établissement correct de l'aplomb de la laveuse permet de réduire un niveau sonore et des vibrations excessifs.

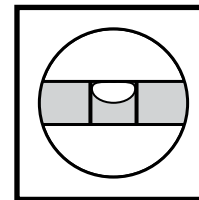
13. Vérifier le bon aplomb de la laveuse



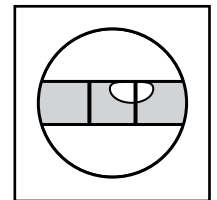
Enlever le morceau de carton placé sous la laveuse. Placer un niveau sur les bords supérieurs de la laveuse en contrôlant chaque côté et l'avant. Si elle n'est pas d'aplomb, faire basculer la laveuse et régler les pieds vers le haut ou vers le bas tel qu'indiqué dans les étapes 15 et 16, et recommencer si nécessaire.



N'est pas d'aplomb

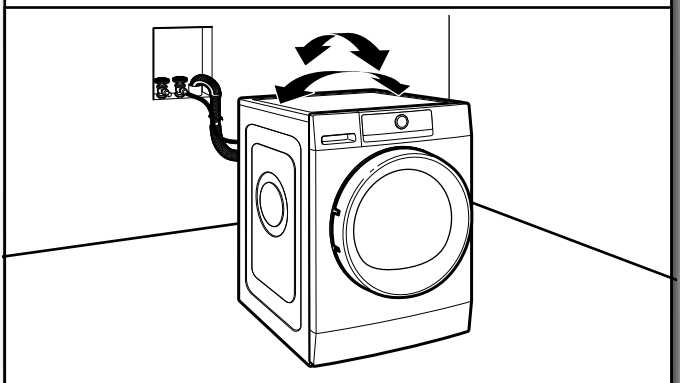


D'APLOMB



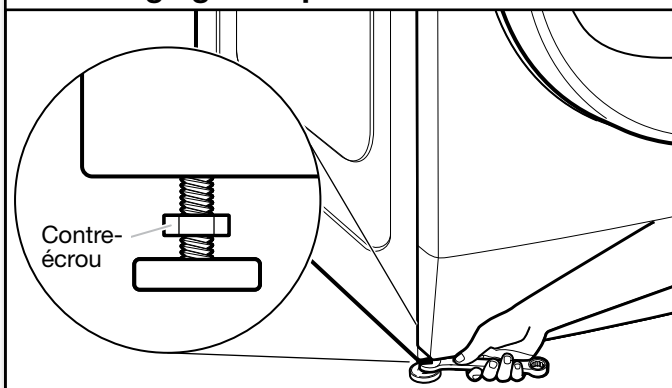
N'est pas d'aplomb

14. Faire basculer la laveuse pour tester la stabilité des pieds sur le plancher



Saisir la laveuse/sécheuse par le dessus et la faire basculer d'avant en arrière tout en s'assurant que les quatre pieds sont en contact ferme avec le sol. Faire de nouveau basculer la laveuse, transversalement. Si la laveuse bascule, passer à l'étape 15 et ajuster les pieds de nivellement. Si les quatre pieds sont en contact ferme avec le sol, passer à l'étape 17.

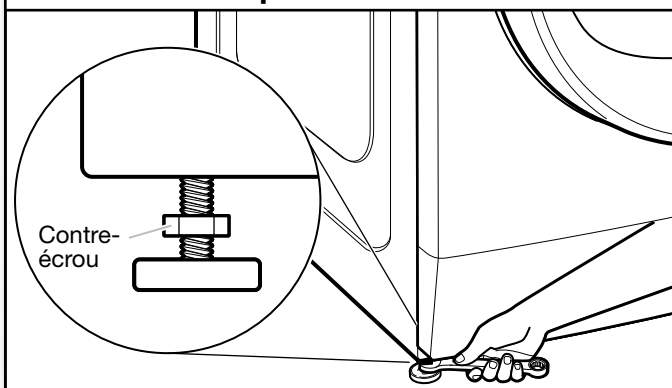
15. Réglage des pieds de nivellement



Si la laveuse n'est pas d'aplomb, utiliser une clé plate ou une clé à molette de 1/2" (13 mm) pour tourner les contre-écrous dans le sens horaire jusqu'à ce qu'ils se trouvent à environ 1/2" (13 mm) de la caisse de la laveuse. Tourner ensuite le pied de nivellement dans le sens horaire pour abaisser la laveuse ou antihoraire pour la soulever. Contrôler à nouveau l'aplomb de la laveuse et vérifier que les quatre pieds sont en contact ferme avec le sol. Répéter si nécessaire.

CONSEIL UTILE : Il serait judicieux de soulever l'avant de la laveuse d'environ 4" (102 mm) à l'aide d'une cale en bois ou d'un objet similaire qui soutiendra le poids de la laveuse.

16. Serrer les pieds de nivellement



Après que l'aplomb de la laveuse a été établi et que les quatre pieds sont en contact ferme avec le sol, tourner les contre-écrous dans le sens antihoraire sur les pieds de nivellement à l'aide d'une clé plate ou d'une clé à molette de 1/2" (13 mm) jusqu'à ce qu'ils soient bien serrés contre la caisse de la laveuse.

CONSEIL UTILE : On devra peut-être de nouveau soulever légèrement la laveuse à l'aide d'une cale de bois.

⚠ AVERTISSEMENT



Risque de choc électrique

Brancher sur une prise à 3 alvéoles reliée à la terre.

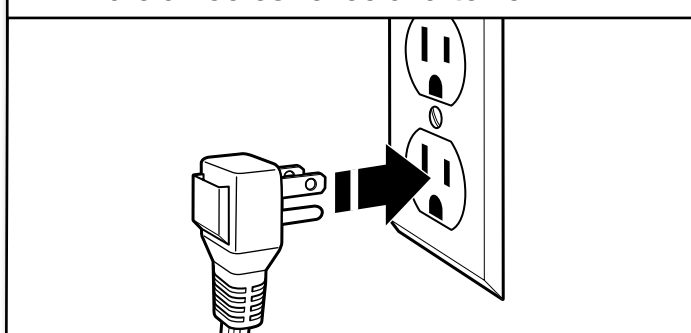
Ne pas enlever la broche de liaison à la terre.

Ne pas utiliser un adaptateur.

Ne pas utiliser un câble de rallonge.

Le non-respect de ces instructions peut causer un décès, un incendie ou un choc électrique.

17. Brancher l'appareil dans une prise à 3 alvéoles reliée à la terre






Liste de vérification pour installation terminée

- Consulter les spécifications électriques. S'assurer de disposer d'une source d'électricité appropriée, et d'une liaison à la terre conforme à la méthode recommandée.
- Vérifier que toutes les pièces sont maintenant installées. S'il reste une pièce, passer en revue les différentes étapes pour découvrir laquelle aurait été oubliée.
- Vérifier la présence de tous les outils.
- Vérifier que les boulons pour le transport ont été complètement enlevés de l'arrière de la laveuse.
- Vérifier que le tuyau d'arrivée d'eau est bien fixé et que le robinet d'eau est ouvert.
- Vérifier s'il y a des fuites autour du robinet, du tuyau d'arrivée d'eau et du tuyau de vidange.
- Ôter tout ruban adhésif resté sur la laveuse.
- Vérifier que la laveuse est branchée sur une prise de courant à 3 alvéoles reliée à la terre.
- Jeter/recycler tous les matériaux d'emballage.
- Voir "Utilisation de la laveuse".
- Pour tester et nettoyer votre laveuse, allumer la laveuse et choisir le programme Normal et la faire fonctionner sans vêtements. Utiliser uniquement un détergent HE. Utiliser la moitié de la quantité recommandée par le fabricant pour une charge de taille moyenne.




DÉPANNAGE

Essayer d'abord les solutions suggérées ici ou consulter le site Web www.whirlpool.com/product_help –
Au Canada www.whirlpool.ca pour obtenir de l'aide et pour éviter une intervention de réparation.

Si les phénomènes suivants se produisent	Causes possibles	Solution
Un code d'erreur apparaît sur l'affichage		
Une fois que tout problème éventuel a été résolu, appuyer sur le bouton de mise sous tension pour effacer le code. Appuyer de nouveau sur le bouton de mise sous tension pour redémarrer la laveuse.		
 (Robinet d'eau fermé)	Pas ou pas suffisamment d'eau parce que : <ul style="list-style-type: none"> ■ Le robinet d'entrée d'eau est fermé. ■ Le tuyau d'entrée d'eau est déformé. ■ La pression d'eau du robinet est trop faible. ■ Le filtre à tamis du tuyau est obstrué. ■ Le tuyau d'entrée d'eau est gelé. 	Ouvrir le robinet d'entrée. S'assurer que le tuyau d'entrée n'est pas déformé. S'assurer que la pression d'eau est suffisante. Nettoyer le filtre à tamis du tuyau d'entrée. Placer la laveuse dans une pièce où la température ambiante est d'au moins 41°F (5°C). Une fois le problème corrigé, appuyer sur le bouton de mise en marche/pause. Si le problème persiste, maintenir enfoncé le bouton d'alimentation pendant au moins 3 secondes.
 (Nettoyer le filtre)	L'eau usée n'est pas évacuée parce que : <ul style="list-style-type: none"> ■ Le tuyau de vidange est déformé. ■ Le tuyau de vidange est obstrué ou gelé. ■ Le filtre est obstrué ■ La pompe est obstruée. 	Vérifier que le tuyau de vidange n'est pas déformé. Placer la laveuse dans une pièce où la température ambiante est d'au moins 41°F (5°C). Nettoyer le filtre comme décrit dans la section "Nettoyage du filtre de la pompe de vidange/drainage de l'eau résiduelle". Une fois le problème corrigé, appuyer sur le bouton de mise en marche/pause. Si le problème persiste, maintenir enfoncé le bouton d'alimentation pendant au moins 3 secondes.
 (porte ouverte Indicateur clignote)	La porte ne se verrouille pas.	Appuyer fermement sur la zone de la porte où est situé le verrou pour bien la fermer. Appuyer ensuite sur le bouton de mise en marche/pause. Si le problème persiste, maintenir enfoncé le bouton d'alimentation pendant au moins 3 secondes.
FdL (ou F29)	La porte ne se déverrouille pas.	Appuyer fermement sur la zone de la porte où est situé le verrou. Ensuite, maintenir enfoncé le bouton d'alimentation pendant au moins 3 secondes. Si le programme de lavage à l'eau chaude est sélectionné, attendre que l'eau refroidisse, puis appuyer de nouveau sur le bouton d'alimentation pendant au moins 3 secondes. Mettre en marche la laveuse. Si la défaillance se produit toujours, vérifier et corriger la cause possible comme indiqué pour le code d'erreur de "filtre propre". Mettre ensuite la laveuse en marche. Si la porte ne se déverrouille pas, maintenir enfoncé le bouton d'alimentation pendant au moins 3 secondes. Si la porte ne se déverrouille toujours pas, consulter la section "Comment ouvrir la porte en cas de défaillance". Avant de drainer l'eau/d'ouvrir la porte, attendre que l'eau ait refroidi (pour le programme de lavage à l'eau chaude).
Fod	Production excessive de mousse (surutilisation de détergent possible) qui interrompt le programme. Des interruptions peuvent se produire à plusieurs reprises jusqu'à ce qu'il y ait réduction adéquate de la mousse.	Démarrer le programme de rinçage et d'essorage en ajoutant l'option de rinçage intense. Suivre les recommandations de dosage du fabricant du détergent. Utiliser l'option d'assistance de dosage. S'assurer que le filtre de la pompe de vidange est propre.

DÉPANNAGE

Essayer d'abord les solutions suggérées ici ou consulter le site Web www.whirlpool.com/product_help –
Au Canada www.whirlpool.ca pour obtenir de l'aide et pour éviter une intervention de réparation.

Si les phénomènes suivants se produisent	Causes possibles	Solution
Un code d'erreur apparaît sur l'affichage (suite)		
 (service) F20 ou F60	Défaillance d'une composante électronique.	Arrêter et débrancher la laveuse. Fermer le robinet d'entrée. Consulter la section "Assistance ou service" pour obtenir de l'aide.
 (service) F24	Trop de vêtements pour un programme conçu pour une petite charge maximale.	Sélectionner et mettre en marche le programme de rinçage et d'essorage pour terminer le programme de lavage interrompu. Ne pas surcharger la laveuse. Ne pas dépasser la charge maximale indiquée dans le "Guide de programme".
	Trop d'eau.	Fermer le robinet d'arrivée d'eau. Maintenir enfoncé le bouton d'alimentation pendant au moins 3 secondes pour drainer l'eau. Attendre jusqu'à ce que l'étape de drainage soit terminée (la fin de l'étape est affichée à l'écran). Ouvrir de nouveau le robinet d'eau. Si la laveuse se remplit immédiatement d'eau sans qu'un programme soit démarré, il y a défaillance d'une composante électrique. Fermer le robinet d'eau, puis mettre la laveuse hors tension et la débrancher. Consulter la section "Assistance ou service" pour obtenir de l'aide.
 (service) Toutes les autres anomalies F..	Défaillance d'une composante électrique.	Maintenir enfoncé le bouton d'alimentation pendant au moins 3 secondes pour réinitialiser les commandes. Si le problème persiste, mettre la laveuse hors tension et la débrancher. Fermer le robinet d'entrée. Consulter la section "Assistance ou service" pour obtenir de l'aide.

DÉPANNAGE

Essayer d'abord les solutions suggérées ici ou consulter le site Web www.whirlpool.com/product_help –
Au Canada www.whirlpool.ca pour obtenir de l'aide et pour éviter une intervention de réparation.

Si les phénomènes suivants se produisent	Causes possibles	Solution
Vibrations ou déséquilibre		
Vibrations, balancement ou effet de "marche" de la machine	Les pieds ne sont peut-être pas en contact avec le plancher ou verrouillés.	Les pieds ou roulettes avant et arrière doivent être en contact ferme avec le plancher et la laveuse doit être d'aplomb pour fonctionner correctement. Les contre-écrous doivent être bien serrés contre le bas de la caisse.
	La laveuse n'est peut-être pas d'aplomb.	Vérifier que le plancher n'est pas incurvé ou qu'il ne s'affaisse pas. Si le plancher est irrégulier, un morceau de contreplaqué de 3/4" (19 mm) placé sous la laveuse permettra de réduire le bruit. Ne pas installer la laveuse sur une plateforme surélevée en bois. Voir "Réglage de l'aplomb de la laveuse" dans "Instructions d'installation".
	La charge est peut-être déséquilibrée ou de trop grande taille.	Éviter de tasser la charge. Éviter de laver un article seul. Compenser le poids d'un article seul tel qu'un tapis ou une veste en jeans par quelques articles supplémentaires pour équilibrer le tout.
		L'article ou la charge ne convient pas au programme sélectionné. Voir "Guide de programmes" et "Utilisation de la laveuse".
	Les boulons d'expédition se trouvent toujours à l'arrière de la laveuse.	Voir "Retirer les boulons de transport de la laveuse" dans les Instructions d'installation.
Bruits		
Cliquetis ou bruits métalliques	Porte qui se verrouille ou se déverrouille.	La porte se verrouillera, se déverrouillera puis se verrouillera à nouveau. Trois clics se font entendre après avoir appuyé sur le bouton de mise en marche/pause. Cela est normal.
	Des objets sont coincés dans le système de vidange de la laveuse.	Vider les poches avant le nettoyage. Les articles mobiles tels des pièces de monnaie sont susceptibles de tomber entre le tambour et la cuve; ils peuvent aussi obstruer la pompe. Un appel pour intervention de dépannage s'avéra peut-être nécessaire pour retirer ces objets.
		Il est normal d'entendre des articles métalliques faisant partie des vêtements comme les boutons-pression métalliques, boucles ou fermetures à glissière toucher le tambour en acier inoxydable.
Gargouillements ou bourdonnements	La laveuse est peut-être en train d'évacuer de l'eau.	La pompe peut produire un bourdonnement accompagné de gargouillements ou de bruits de pompage périodiques lorsque les quantités d'eau restantes sont éliminées au cours des programmes d'essorage/de vidange. Ceci est normal pour certaines étapes du programme.
Roulement, ballotement ou cliquetis occasionnel (pour un essorage à faible vitesse)	Les boules d'acier du système d'équilibrage équilibrent la charge.	Ceci est normal pour certaines étapes du programme.
Fuites d'eau		
Vérifier ce qui suit pour que l'installation soit correcte	Les tuyaux de remplissage ne sont pas solidement fixés.	Serrer le raccord du tuyau de remplissage.
	Rondelle de la tuyau de remplissage d'eau.	Bien mettre en place les deux rondelles de tuyaux d'entrée d'eau.
	Raccord du tuyau de vidange.	Vérifier que le tuyau d'évacuation est bien fixé au tuyau de rejet à l'égout ou à l'évier de buanderie.
	Inspecter le circuit de plomberie du domicile pour vérifier qu'il n'y a pas de fuites ou que l'évier ou le tuyau de vidange n'est pas obstrué.	De l'eau pourrait refouler de l'évier ou du tuyau de rejet à l'égout obstrué. Inspecter tout le circuit de plomberie du domicile (éviers de buanderie, tuyau de vidange, conduites d'eau et robinets) pour vérifier qu'il n'y a aucune fuite.
	La grille (ou le bas de nylon) située au bout du tuyau de vidange est bouchée.	Retirer la grille ou le bas du tuyau de drainage.

DÉPANNAGE

Essayer d'abord les solutions suggérées ici ou consulter le site Web www.whirlpool.com/product_help –
Au Canada www.whirlpool.ca pour obtenir de l'aide et pour éviter une intervention de réparation.

Si les phénomènes suivants se produisent	Causes possibles	Solution
Fuites d'eau (suite)		
Eau ou mousse suintant par la porte ou par l'arrière de la caisse	Détergent HE non utilisé ou utilisation excessive de détergent HE.	Utiliser uniquement un détergent HE. La mousse produite par des détergents ordinaires peut causer des fuites au niveau de la porte ou de l'arrière de la caisse. Toujours mesurer la quantité de détergent et suivre les instructions du détergent en fonction des modalités de nettoyage de la charge.
	Résidus sur le hublot de la porte.	Nettoyer régulièrement le dessous du hublot en verre pour éviter toute fuite éventuelle.
Fuite autour de la porte	Des cheveux, de la charpie ou d'autres débris sur l'intérieur du hublot de la porte empêchent la fermeture étanche de la porte.	Nettoyer l'intérieur de la porte et le joint. Voir "Nettoyage du joint de la porte" dans la section "Entretien de la laveuse".
La laveuse ne fonctionne pas comme prévu		
La charge n'est pas complètement submergée dans l'eau	Niveau d'eau non visible par la porte ou eau ne recouvrant pas les vêtements.	Ceci est normal pour une laveuse HE à chargement frontal. La laveuse détecte la taille de la charge et ajoute la bonne quantité d'eau pour un nettoyage optimal.
La laveuse ne fonctionne pas ou ne se remplit pas; elle cesse de fonctionner	Vérifier que l'alimentation en eau est adéquate.	Le tuyau doit être fixé et l'eau doit pénétrer dans la valve d'arrivée.
		Le robinet d'eau doit être ouvert.
		Vérifier que le tamis de la valve d'arrivée n'est pas obstrué.
		Vérifier que le tuyau d'arrivée d'eau n'est pas déformé; ceci peut réduire le débit.

AVERTISSEMENT



Risque de choc électrique

Brancher sur une prise à 3 alvéoles reliée à la terre.

Ne pas enlever la broche de liaison à la terre.

Ne pas utiliser un adaptateur.

Ne pas utiliser un câble de rallonge.

Le non-respect de ces instructions peut causer un décès, un incendie ou un choc électrique.

La laveuse ne fonctionne pas ou ne se remplit pas; elle cesse de fonctionner (suite)	Vérifier que l'alimentation électrique à la laveuse est correcte.	Brancher le cordon d'alimentation dans une prise à 3 alvéoles reliée à la terre.
		Ne pas utiliser de rallonge.
		Vérifier que la prise est alimentée.
		Ne pas brancher dans un DDFT (disjoncteur différentiel de fuite à la terre).
		Inspecter la source de courant électrique ou appeler un électricien pour vérifier si la tension est basse.
		Réarmer le disjoncteur déclenché. Remplacer tout fusible grillé. REMARQUE : Si le problème persiste, appeler un électricien.

DÉPANNAGE

Essayer d'abord les solutions suggérées ici ou consulter le site Web www.whirlpool.com/product_help –
Au Canada www.whirlpool.ca pour obtenir de l'aide et pour éviter une intervention de réparation.

Si les phénomènes suivants se produisent	Causes possibles	Solution
La laveuse ne fonctionne pas comme prévu (suite)		
La laveuse ne fonctionne pas ou ne se remplit pas; elle cesse de fonctionner (suite)	Fonctionnement normal de la laveuse.	<p>La porte doit être complètement fermée et verrouillée pour que la laveuse puisse fonctionner.</p> <p>La laveuse fait des pauses durant certaines phases du programme. Ne pas interrompre le programme.</p> <p>La laveuse fait une pause d'environ 2 minutes au cours de certains programmes. Laisser le programme se poursuivre. Certains programmes comprennent des périodes de culbutage et de trempage.</p> <p>On peut arrêter la laveuse pour réduire la production de mousse. Utiliser toujours la bonne quantité de détergent HE.</p> <p>Le programme de lavage à l'eau froide utilise moins d'eau au début du programme afin de permettre une concentration élevée de détergent et un lavage optimal. Après ce culbutage dans une eau concentrée en détergent, le lavage se poursuit avec davantage d'eau.</p>
	La porte de la laveuse n'est pas bien fermée.	La porte doit être fermée lorsque la laveuse est en marche.
	La laveuse n'a pas été chargée tel que recommandé.	Retirer plusieurs articles, répartir uniformément la charge dans le tambour de la laveuse. Fermer ensuite le couvercle et appuyer de nouveau sans relâcher sur le bouton de mise en marche/pause.
		Ne pas ajouter plus d'un ou deux articles supplémentaires après que le programme ait commencé afin d'éviter un tassement excessif de la charge ou un déséquilibre.
		Ne pas ajouter d'eau dans la laveuse.
	Détergent HE non utilisé ou utilisation excessive de détergent HE.	Utiliser uniquement un détergent HE. La mousse produite par des détergents ordinaires peut ralentir ou arrêter la laveuse. Toujours mesurer la quantité de détergent et suivre les instructions du détergent en fonction des modalités de nettoyage de la charge.
	Détergent HE non utilisé ou utilisation excessive de détergent HE.	Pour éliminer la mousse, annuler le programme. Sélectionner Rinse & Spin (rinçage et essorage). Appuyer le bouton de mise en marche/pause. Ne pas ajouter de détergent.
		Lorsqu'un programme de lavage est terminé, la porte doit être ouverte puis refermée avant qu'un nouveau programme puisse commencer.
La porte n'a pas été ouverte entre deux programmes.	Lorsqu'un programme de lavage est terminé, la porte doit être ouverte puis refermée avant qu'un nouveau programme puisse commencer.	
La laveuse s'arrête durant l'exécution d'un programme et le témoin lumineux Start/Pause (mise en marche/pause) clignote	Le programme est terminé et la fonction de maintien du rinçage est activée.	Tourner le bouton sur la vitesse d'essorage désirée, sinon, l'eau de rinçage sera drainée, ce qui mettra fin au programme.
	Le programme a été interrompu (par exemple en ouvrant la porte).	S'assurer que la porte est fermée. Appuyer sur le bouton de mise en marche/pause pour reprendre le programme.
	Le système de sécurité a été activé. Un témoin de défaillance s'allume ou un code de défaillance s'affiche à l'écran.	Voir les "Codes d'erreurs" situés au début de la section "Dépannage".
	Le robinet d'entrée d'eau est fermé.	S'assurer que le robinet d'entrée d'eau est ouvert et que le tuyau d'entrée n'est pas déformé.

DÉPANNAGE

Essayer d'abord les solutions suggérées ici ou consulter le site Web www.whirlpool.com/product_help –
Au Canada www.whirlpool.ca pour obtenir de l'aide et pour éviter une intervention de réparation.

Si les phénomènes suivants se produisent	Causes possibles	Solution
La laveuse ne fonctionne pas comme prévu (suite)		
La laveuse ne se vidange pas/n'effectue pas d'essorage; les charges ressortent mouillées	Le tuyau de vidange se prolonge dans le tuyau rigide de rejet à l'égout au-delà de 4,5" (114 mm).	Vérifier que le tuyau de vidange est correctement installé. Utiliser la bride de retenue pour tuyau de vidange et la fixer solidement au tuyau rigide de rejet à l'égout ou à la cuve. Ne pas placer de ruban adhésif sur l'ouverture du système de vidange.
	Le tuyau de vidange est obstrué, ou l'extrémité du tuyau de vidange se trouve à plus de 49" (1,3 m) au-dessus du plancher.	Abaisser le tuyau de vidange si l'extrémité se trouve à plus de 49" (1,3 m) au-dessus du plancher. Retirer toute obstruction du tuyau de vidange. Voir la section "Exigences d'installation" dans les "Instructions d'installation".
	Grille ou bas de nylon situé au bout du tuyau de drainage.	Retirer la grille ou le bas du tuyau de drainage.
	Le tuyau de vidange est trop serré dans le tuyau rigide de rejet à l'égout, ou est fixé au tuyau rigide de rejet à l'égout avec du ruban adhésif.	Le tuyau de vidange doit être lâche mais bien fixé. Ne pas sceller le tuyau de vidange avec du ruban adhésif. Le tuyau a besoin d'une ouverture pour l'air. Voir "Acheminer le tuyau de vidange" dans les "Instructions d'installation".
	Utiliser des programmes comportant une vitesse d'essorage inférieure.	Les programmes avec vitesses d'essorage réduites éliminent moins d'eau que les programmes qui comportent des vitesses d'essorage supérieures. Utiliser le programme/la vitesse d'essorage recommandé(e) correspondant aux vêtements.
	La laveuse n'a pas été chargée tel que recommandé.	Des vêtements tassés ou une charge déséquilibrée empêchent la laveuse d'essorer correctement, ce qui laisse la charge plus mouillée qu'elle ne devrait l'être. Voir "Guide de programmes" pour consulter le volume de charge recommandé pour chaque programme.
	La charge est peut-être déséquilibrée.	Éviter de laver un article seul. Compenser le poids d'un article seul tel qu'un tapis ou une veste en jeans par quelques articles supplémentaires pour équilibrer le tout.
	Détergent HE non utilisé ou utilisation excessive de détergent HE.	Utiliser uniquement un détergent HE. Un excès de mousse causé par l'utilisation d'un détergent ordinaire ou d'un surplus de détergent peut ralentir ou arrêter la vidange ou l'essorage. Toujours mesurer le détergent et suivre les instructions du fabricant en fonction de la charge. Pour éliminer tout excès de mousse, sélectionner Rinse & Spin (rincage et essorage). Ne pas ajouter de détergent.
	Des petits articles sont peut-être coincés dans la pompe ou entre le tambour et la partie externe de la cuve de la laveuse.	Inspecter le tambour pour vérifier qu'aucun article ne dépasse par les trous du tambour. Vider les poches et utiliser des sacs à linge pour laver les petits articles.
La laveuse vibre durant l'essorage	Les boulons de transport n'ont pas été enlevés.	Retirer les boulons de transport (voir les "Instructions d'installation").
	La laveuse n'est pas d'aplomb.	Ajuster les pieds de nivellement (voir les "Instructions d'installation"). S'assurer que la laveuse est située sur un plancher ferme et de niveau.
La vitesse d'essorage "0" clignote sur le panneau de commande ou la charge est encore très humide	Une charge mal équilibrée a empêché le programme d'essorage de fonctionner pour ne pas endommager la laveuse.	Pour faire essorer des vêtements humides, ajouter d'autres articles de différentes tailles et démarrer un programme de rincage et d'essorage. Éviter de laver de petites charges constituées de quelques grands articles très absorbants. Laver des charges constituées d'articles de tailles diverses.

DÉPANNAGE

Essayer d'abord les solutions suggérées ici ou consulter le site Web www.whirlpool.com/product_help – Au Canada www.whirlpool.ca pour obtenir de l'aide et pour éviter une intervention de réparation.

Si les phénomènes suivants se produisent	Causes possibles	Solution
La laveuse ne fonctionne pas comme prévu (suite)		
L'essorage n'est pas efficace	Le bouton d'essorage a été réglé à une basse vitesse.	Régler une vitesse d'essorage plus élevée.
	Une charge mal équilibrée empêche le programme d'essorage de fonctionner.	Consulter la solution pour le point "La vitesse d'essorage "0" clignote".
	Une trop grande production de mousse empêche l'essorage de fonctionner.	Démarrer le programme Rinse & Spin (rinçage et essorage). Éviter une quantité excessive de détergent; utiliser l'option d'assistance de dosage.
Porte verrouillée à la fin du programme de lavage	Il reste de l'eau dans la laveuse après le programme.	Sélectionner Rinse & Spin (rinçage et essorage) pour retirer l'eau restée dans la laveuse. La porte de la laveuse se déverrouille à la fin de la vidange.
	L'option TumbleFresh™ est activée.	Lorsque cette option est activée, la charge est culbutée de façon périodique pendant un maximum de 6 heures. La porte est verrouillée durant cette période. Pour déverrouiller la porte, annuler l'option Tumblefresh™ en touchant le bouton de puissance.
La porte ne se déverrouille pas	L'eau ne s'est pas complètement écoulee de la laveuse durant l'essorage.	Sélectionner Rinse & Spin (rinçage et essorage) pour évacuer toute eau restée dans la laveuse. La porte de la laveuse se déverrouille à la fin de la vidange. La porte devrait mettre 1 minute à se déverrouiller.
	Code d'erreur affiché.	Le mode défaillance entraîne le verrouillage de la porte. Appuyer sur le bouton de mise en marche/pause pour sortir et attendre que la porte se déverrouille.
	La température de l'eau est supérieure à 104°F (40°C)	Attendre que la température de l'eau baisse.
Températures de lavage ou de rinçage incorrectes	Vérifier que l'alimentation en eau est adéquate.	Le tuyau doit être raccordé à la fois à la laveuse et au robinet, et la valve d'arrivée doit recevoir de l'eau.
		Vérifier que le tami de la valve d'arrivée n'est pas obstrué.
	Éliminer toute déformation du tuyau.	
Lavage de plusieurs charges.	Votre réservoir d'eau chaude n'a peut-être pas suffisamment d'eau chaude à fournir pour le nombre de lavages à l'eau chaude ou tiède requis. Ceci est normal.	
L'option ou le réglage souhaité ne s'allume pas	Pour une performance idéale, tous les réglages ne sont pas disponibles sur tous les programmes et certaines options ne peuvent pas être combinées.	Consulter le "Guide de programmes" pour connaître les réglages et options possibles pour chaque programme.
Charge non rincée	Vérifier que l'alimentation en eau est adéquate.	Le tuyau doit être raccordé à la fois à la laveuse et au robinet, et la valve d'arrivée doit recevoir de l'eau.
		Le robinet d'eau doit être ouvert.
		Le tami de la valve d'arrivée d'eau de la laveuse est peut-être obstrué.
		Éliminer toute déformation du tuyau d'arrivée.
	Détergent HE non utilisé ou utilisation excessive de détergent HE.	La mousse produite par un détergent ordinaire peut empêcher la laveuse de fonctionner correctement. Utiliser uniquement un détergent HE. Toujours mesurer le détergent et suivre les instructions du fabricant en fonction de la taille et du niveau de saleté de la charge.

DÉPANNAGE

Essayer d'abord les solutions suggérées ici ou consulter le site Web www.whirlpool.com/product_help – Au Canada www.whirlpool.ca pour obtenir de l'aide et pour éviter une intervention de réparation.

Si les phénomènes suivants se produisent	Causes possibles	Solution
La laveuse ne fonctionne pas comme prévu (suite)		
Charge non rincée (suite)	La laveuse n'a pas été chargée tel que recommandé.	<p>Éviter un tassement excessif de la laveuse. La laveuse ne rincera pas bien si les vêtements sont tassés. Charger la laveuse uniquement avec des articles secs. Voir "Guide de programmes" pour consulter le volume de charge recommandé pour chaque programme.</p> <p>Utiliser le programme conçu pour les tissus à laver.</p> <p>Si l'on souhaite ajouter des vêtements une fois que la laveuse a démarré, n'en rajouter qu'un ou deux.</p>
	La charge est peut-être déséquilibrée.	En cas de déséquilibre de la charge, un processus de lavage est lancé pour répartir à nouveau la charge. Ceci peut rallonger le programme. Éviter de laver un article seul. Compenser le poids d'un article seul tel qu'un tapis ou une veste en jeans par quelques articles supplémentaires pour équilibrer le tout.
La charge est froissée, entortillée ou enchevêtrée	La laveuse n'a pas été chargée tel que recommandé.	<p>Ajouter les vêtements sans les tasser. Les articles doivent pouvoir se déplacer librement pour réduire le froissement et l'emmêlement. Voir "Guide de programmes" pour consulter le volume de charge recommandé pour chaque programme.</p> <p>Réduire l'emmêlement en mêlant plusieurs types d'articles dans la charge. Utiliser le programme recommandé correspondant aux types de vêtements à laver.</p>
	La vitesse d'essorage trop rapide pour la charge.	Sélectionner une vitesse d'essorage plus basse. Notons que les articles seront plus mouillés que si l'on utilise une vitesse d'essorage supérieure.
	Les vêtements n'ont pas été retirés rapidement.	Décharger la laveuse dès qu'elle s'arrête ou utiliser l'option TumbleFresh™ si l'on n'est pas en mesure de décharger la laveuse dès la fin du programme.
	Le programme choisi ne correspond pas au programme qui doit être utilisé pour la charge de lavage.	Utiliser le programme Delicates (articles délicats) ou un autre programme avec essorage à basse vitesse pour réduire le froissement.
	L'eau de lavage n'est pas suffisamment chaude pour réduire le froissement.	Si c'est sans danger pour la charge, utiliser une eau de lavage tiède ou chaude.
	Ne nettoie ou ne détache pas	La laveuse n'a pas été chargée tel que recommandé.
Détergent HE non utilisé ou utilisation excessive de détergent HE.		Utiliser uniquement un détergent HE. Toujours mesurer le détergent et suivre les instructions du fabricant en fonction de la taille et du niveau de saleté de la charge.
Eau dure ou niveau élevé de fer (rouille) dans l'eau.		Il faut peut-être installer un adoucisseur d'eau et/ou un filtre à fer.
Une boule distributrice d'assouplissant pour tissu a été utilisée.		Les boules distributrices ne fonctionnent pas correctement avec cette laveuse. Verser un assouplissant de tissu liquide dans le compartiment d'assouplissant de tissu.
Du détergent en poudre a été utilisé pour le programme à basse vitesse.		Envisager l'utilisation d'un détergent liquide.

DÉPANNAGE

Essayer d'abord les solutions suggérées ici ou consulter le site Web www.whirlpool.com/product_help –
Au Canada www.whirlpool.ca pour obtenir de l'aide et pour éviter une intervention de réparation.

Si les phénomènes suivants se produisent	Causes possibles	Solution	
La laveuse ne fonctionne pas comme prévu (suite)			
Ne nettoie ou ne détache pas (suite)	Programme utilisé incorrect par rapport au type de tissu.	<p>Utiliser une température de lavage plus chaude pour améliorer le nettoyage.</p> <p>Si l'on utilise un programme Quick Wash (lavage rapide), ne laver que quelques articles.</p> <p>Utiliser le programme Heavy Duty (service intense) pour un nettoyage puissant.</p> <p>Ajouter un rinçage supplémentaire pour les charges très sales.</p>	
	Les distributeurs ne sont pas utilisés.	<p>Utiliser les distributeurs pour éviter que l'assouplissant pour tissu ne tachent les vêtements.</p> <p>Remplir les distributeurs avant de démarrer un programme.</p> <p>Éviter de les remplir excessivement.</p> <p>Ne pas verser de produits autres que ceux spécifiés directement sur la charge.</p>	
	Les couleurs similaires ne sont pas lavées ensemble.	Laver ensemble les couleurs semblables et les retirer rapidement une fois le programme terminé pour éviter tout transfert de teinture.	
	Quantité de détergent utilisée insuffisante ou eau dure.	Utiliser plus de détergent pour laver des articles très sales à l'eau froide ou dure.	
	Odeurs	L'entretien mensuel n'est pas effectué tel que recommandé.	<p>Faire fonctionner le programme Clean Washer With affresh® (nettoyage de la laveuse avec affresh®) une fois par mois ou chaque série de 30 lavages. Voir "Entretien de la laveuse" dans la section "Entretien de la laveuse".</p> <p>Décharger la laveuse dès que le programme est terminé. Utiliser l'option TumbleFresh™ si l'on ne peut pas retirer immédiatement la charge une fois le lavage terminé.</p>
		Détergent HE non utilisé ou utilisation excessive de détergent HE.	<p>Utiliser uniquement un détergent HE. Veiller à mesurer correctement. Toujours suivre les directives du fabricant.</p> <p>Voir la section "Utilisation de la laveuse".</p>
		La porte n'est pas restée ouverte après utilisation.	Cette laveuse dispose d'une fermeture étanche pour éviter les fuites d'eau. Pour éviter la formation d'odeurs, laisser la porte ouverte afin de permettre à la laveuse de sécher entre deux utilisations.
Tissu endommagé	Des objets pointus se trouvaient dans les poches au moment du programme de lavage.	Vider les poches, fermer les fermetures à glissière, les boutons pression et les agrafes avant le lavage pour éviter d'accrocher et de déchirer le linge.	
	Les cordons et les ceintures se sont peut-être emmêlés.	Attacher tous les cordons et les ceintures avant de démarrer le nettoyage de la charge.	
	Les articles étaient peut-être endommagés avant le lavage.	Raccommoder les déchirures et reprendre les fils cassés des coutures avant le lavage.	
	Les tissus peuvent subir des dommages si l'on tasse le linge dans la laveuse.	Éviter de tasser le linge dans la laveuse. Charger la laveuse uniquement avec des articles secs.	
		Utiliser le programme conçu pour les tissus à laver.	
	Si l'on souhaite ajouter des vêtements une fois que la laveuse a démarré, n'en rajouter qu'un ou deux.	Ne pas faire remplir excessivement la laveuse.	
Les tissus peuvent être endommagés si la porte de la laveuse est fermée sur un article, le coinçant entre le hublot de la porte et le joint en caoutchouc.	Pousser entièrement la charge à laver dans la laveuse.		

DÉPANNAGE

Essayer d'abord les solutions suggérées ici ou consulter le site Web www.whirlpool.com/product_help – Au Canada www.whirlpool.ca pour obtenir de l'aide et pour éviter une intervention de réparation.

Si les phénomènes suivants se produisent	Causes possibles	Solution
La laveuse ne fonctionne pas comme prévu (suite)		
Blancs grisâtres, couleurs défraîchies	La charge n'a pas été correctement triée.	Le transfert de teinture peut se produire lors du mélange d'articles blancs et de couleur dans une même charge. Séparer les articles de teinte foncée des articles blancs ou clairs.
	Les températures de lavage sont trop basses.	Utiliser des températures à l'eau chaude ou tiède si cela est sans danger pour la charge. S'assurer que le système d'eau chaude est adéquat pour fournir un lavage à l'eau chaude.
	Quantité de détergent utilisée insuffisante ou eau dure.	Utiliser plus de détergent pour laver des articles très sales à l'eau froide ou dure.
Fonctionnement incorrect du distributeur	Distributeurs obstrués ou produits de lessive distribués trop tôt.	Ne pas remplir excessivement le distributeur. Un remplissage excessif peut entraîner une distribution immédiate.
		Remplir les distributeurs avant de démarrer un programme.
		Pour les domiciles présentant une basse pression d'eau, il est possible qu'il reste de la poudre dans le distributeur. Pour éviter cela, sélectionner une température de lavage plus chaude (si possible – en fonction de la charge).
	Il reste de l'eau dans le distributeur une fois le programme terminé.	Il est normal qu'il reste de petites quantités d'eau dans le distributeur une fois le programme terminé.
Le distributeur de détergent contient des résidus de détergent après la fin du programme	La pression d'entrée d'eau est insuffisante, le filtre à tamis du tuyau d'entrée d'eau peut être obstrué.	S'assurer que le robinet d'entrée d'eau est bien ouvert. Vérifier le filtre à tamis du tuyau d'entrée et le nettoyer au besoin.
Le sachet de lessive à dose unique ne se dissout pas	Sachet de lessive mal utilisé.	Veiller à ajouter le sachet de lessive dans le tambour de la laveuse avant d'ajouter les vêtements. Ne pas placer de sachet dans le distributeur. Suivre les instructions du fabricant pour éviter d'endommager les vêtements.
La durée du programme varie ou la durée du programme est trop longue	Fonctionnement normal de la laveuse.	Les durées de programme varient automatiquement en fonction de la pression et de la température de l'eau, du détergent et de la charge de vêtements. Les options sélectionnées affectent aussi les durées de programme.
	Il y a trop de mousse dans la laveuse.	Lorsqu'un excès de mousse est détecté, une procédure spéciale contre la mousse se met en marche automatiquement pour éliminer l'excès de mousse et assurer un rinçage efficace pour les vêtements. Cette procédure prolonge la durée initiale du programme.
	La charge est peut-être déséquilibrée.	En cas de déséquilibre de la charge, un processus de lavage est lancé pour répartir à nouveau la charge. Ceci prolonge la durée du programme. Éviter de laver un article seul. Compenser le poids d'un article seul tel qu'un tapis ou une veste en jeans par quelques articles supplémentaires pour équilibrer le tout.
	Programme utilisé incorrect par rapport au type de tissu.	Le programme Quick Wash (lavage rapide) est conçu pour les plus petites charges (deux à quatre articles) de vêtements légèrement sales. Si on lave des charges plus importantes avec ce programme, le lavage sera plus long. En cas d'utilisation des programmes Quick Wash (lavage rapide) ou Delicates (articles délicats), il faut ne laver que de petites charges. Ceci garantit un lavage en douceur des vêtements sans augmenter les durées de programme.
Il y a du détergent liquide sur le hublot de la porte avant le début du programme	Le détergent coule librement du distributeur de dose unique.	Ne pas ajouter de détergent avant que les vêtements soient mis dans la laveuse.

⚠ AVERTISSEMENT



Risque de choc électrique

Déconnecter la source de courant électrique avant l'entretien.

Replacer pièces et panneaux avant de faire la remise en marche.

Le non-respect de ces instructions peut causer un décès ou un choc électrique.

COMMENT OUVRIR LA PORTE EN CAS DE COUPURE D'ALIMENTATION

Avant d'ouvrir la porte comme décrit ci-dessous, consulter le point "La porte ne se déverrouille pas" de la section "Dépannage". La porte peut se déverrouiller par elle-même au retour de l'alimentation. Cependant, pour retirer immédiatement la charge, essayer d'abord de déverrouiller la porte en suivant la méthode décrite pour le code d'erreur FdL ou F29 de la section "Dépannage".

Si la porte ne s'ouvre toujours pas, effectuer les étapes suivantes :

Avant d'ouvrir la porte :

- Arrêter et débrancher la laveuse.
- Fermer le robinet d'entrée d'eau
- Attendre que le tambour ait terminé de tourner – ne jamais ouvrir la porte pendant que le tambour est en mouvement.
- Attendre que l'eau et la charge aient refroidi lorsque le programme de lavage à l'eau chaude est utilisé.

Toujours vider l'eau avant d'ouvrir la porte en :

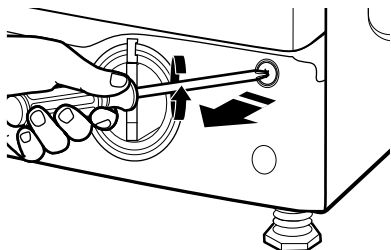
- Maintenir enfoncé le bouton d'alimentation jusqu'à ce que "rES" apparaisse à l'écran

ou

- Suivre les instructions de la section "Nettoyage du filtre à eau/drainage de l'eau résiduelle".

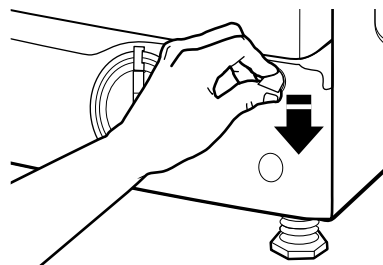
Pour ouvrir la porte :

1. Enlever la vis.

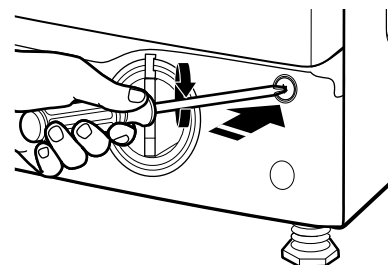


COMMENT OUVRIR LA PORTE EN CAS DE COUPURE D'ALIMENTATION (suite)

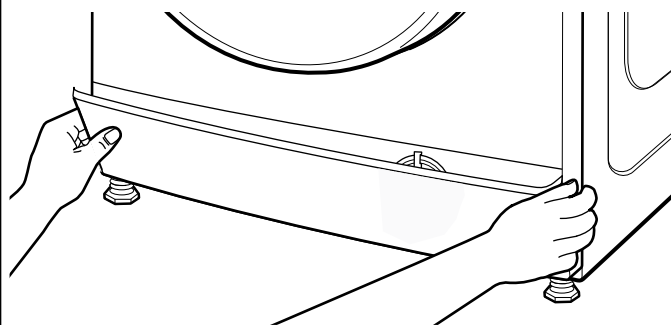
2. Tirer vers le bas sur la courroie marquée "Porte ouverte"
La porte peut maintenant être ouverte et la charge enlevée.



3. Après avoir enlevé la charge, replacer la courroie en tournant fermement la vis.



4. Réinstaller le panneau de la base.



GARANTIE DES APPAREILS DE BUANDERIE WHIRLPOOL®

ATTACHEZ ICI VOTRE REÇU DE VENTE. UNE PREUVE D'ACHAT EST OBLIGATOIRE POUR OBTENIR L'APPLICATION DE LA GARANTIE.

Lorsque vous appelez le centre d'eXpérience de la clientèle, veuillez garder à disposition les renseignements suivants :

- Nom, adresse et numéro de téléphone
- Numéros de modèle et de série
- Une description claire et détaillée du problème rencontré
- Une preuve d'achat incluant le nom et l'adresse du marchand ou du détaillant

SI VOUS AVEZ BESOIN DE SERVICE :

1. Avant de nous contacter pour obtenir un dépannage, veuillez déterminer si des réparations sont nécessaires pour votre produit. Certains problèmes peuvent être résolus sans intervention de dépannage. Prenez quelques minutes pour parcourir la section Dépannage ou Résolution des problèmes du guide d'utilisation et d'entretien, scannez le code QR ci-contre pour accéder à des ressources supplémentaires, ou rendez-vous sur le site https://www.whirlpool.ca/product_help.



https://www.whirlpool.ca/product_help

2. Tout service sous garantie doit être effectué exclusivement par nos fournisseurs de dépannage autorisés Whirlpool. Aux É.-U. et au Canada, dirigez toutes vos demandes de service sous garantie au :

Centre d'eXpérience de la clientèle Whirlpool

Aux É.-U., composer le 1-800-253-1301. Au Canada, composer le 1-800-807-6777.

Si vous résidez à l'extérieur du Canada et des 50 États des États-Unis, contactez votre marchand Whirlpool autorisé pour déterminer si une autre garantie s'applique.

GARANTIE LIMITÉE D'UN AN

CE QUI EST COUVERT

Pendant un an à compter de la date d'achat, lorsque ce gros appareil ménager est installé, utilisé et entretenu conformément aux instructions jointes à ou fournies avec le produit, Whirlpool Corporation ou Whirlpool Canada LP (ci-après désignées "Whirlpool") décidera à sa seule discrétion de remplacer le produit ou de couvrir le coût des pièces de remplacement spécifiées par l'usine et de la main-d'œuvre nécessaires pour corriger les vices de matériaux ou de fabrication qui existaient déjà lorsque ce gros appareil ménager a été acheté. S'il est remplacé, votre appareil restera sous garantie pour la durée restant à courir de la période de garantie sur le produit d'origine.

LE SEUL ET EXCLUSIF RECOURS DU CLIENT DANS LE CADRE DE LA PRÉSENTE GARANTIE LIMITÉE CONSISTE EN LA RÉPARATION PRÉVUE CI-DESSUS. Le service doit être fourni par une compagnie de service désignée par Whirlpool. Cette garantie limitée est valide uniquement aux États-Unis ou au Canada et s'applique exclusivement lorsque le gros appareil ménager est utilisé dans le pays où il a été acheté. La présente garantie limitée entre en vigueur à compter de la date d'achat initial par le consommateur. Une preuve de la date d'achat d'origine est exigée pour obtenir un service dans le cadre de la présente garantie limitée.

CE QUI N'EST PAS COUVERT

1. Usage commercial, non résidentiel ou par plusieurs familles, ou non-respect des instructions de l'utilisateur, de l'opérateur ou des instructions d'installation.
2. Visite d'instruction à domicile pour montrer à l'utilisateur comment utiliser l'appareil.
3. Visites de service pour rectifier une installation ou un entretien fautifs du produit, une installation non conforme aux codes d'électricité ou de plomberie, ou la rectification de l'installation électrique ou de la plomberie du domicile (ex : câblage électrique, fusibles ou tuyaux d'arrivée d'eau du domicile).
4. Pièces consommables (ex : ampoules, batteries, filtres à air ou à eau, solutions de conservation, etc.).
5. Défauts ou dommage résultant de l'utilisation de pièces ou accessoires Whirlpool non authentiques.
6. Conversion de votre produit du gaz naturel ou du gaz de pétrole liquéfié, ou inversion des portes de l'appareil.
7. Dommages causés par : accident, mésusage, abus, incendie, inondations, catastrophe naturelle ou l'utilisation de produits non approuvés par Whirlpool.
8. Réparations aux pièces ou systèmes dans le but de rectifier un dommage ou des défauts résultant d'une réparation, d'une altération ou d'une modification non autorisée de l'appareil.
9. Défauts d'apparence, notamment les éraflures, traces de choc, fissures ou tout autre dommage subi par le fini de l'appareil ménager, à moins que ces dommages ne résultent de vices de matériaux ou de fabrication et ne soient signalés à Whirlpool dans les 30 jours.
10. Décoloration, rouille ou oxydation des surfaces résultant d'environnements caustiques ou corrosifs incluant des concentrations élevées de sel, un haut degré d'humidité ou une exposition à des produits chimiques (exemples non exhaustifs).
11. Enlèvement ou livraison. Ce produit est conçu pour être réparé à l'intérieur du domicile.
12. Frais de déplacement et de transport pour le dépannage/la réparation dans une région éloignée où une compagnie de service Whirlpool autorisée n'est pas disponible.
13. Retrait ou réinstallation d'appareils inaccessibles ou de dispositifs préinstallés (ex : garnitures, panneaux décoratifs, plancher, meubles, îlots de cuisine, plans de travail, panneaux de gypse, etc.) qui entravent le dépannage, le retrait ou le remplacement du produit.
14. Service et pièces pour des appareils dont les numéros de série et de modèle originaux ont été enlevés, modifiés ou ne peuvent pas être facilement identifiés.

Le coût d'une réparation ou d'un remplacement dans le cadre de ces circonstances exclues est à la charge du client.

CLAUSE D'EXONÉRATION DE RESPONSABILITÉ AU TITRE DES GARANTIES IMPLICITES

LES GARANTIES IMPLICITES, Y COMPRIS LES GARANTIES APPLICABLES DE QUALITÉ MARCHANDE OU D'APTITUDE À UN USAGE PARTICULIER, SONT LIMITÉES À UN AN OU À LA PLUS COURTE PÉRIODE AUTORISÉE PAR LA LOI. Certains États et certaines provinces ne permettent pas de limitation sur la durée de garanties implicites de qualité marchande ou d'aptitude à un usage particulier, de sorte que la limitation ci-dessus peut ne pas être applicable dans votre cas. Cette garantie vous confère des droits juridiques spécifiques, et vous pouvez également jouir d'autres droits qui peuvent varier d'une juridiction à l'autre.

EXONÉRATION DE RESPONSABILITÉ EN DEHORS DE LA GARANTIE

Whirlpool ne prend aucun engagement quant à la qualité ou la durabilité de l'appareil, ou en cas de dépannage ou de réparation nécessaire sur ce gros appareil ménager, autre que les engagements énoncés dans la présente garantie. Si vous souhaitez une garantie prolongée ou plus complète que la garantie limitée fournie avec ce gros appareil ménager, renseignez-vous auprès de Whirlpool ou de votre détaillant à propos de l'achat d'une extension de garantie.

LIMITATION DES RECOURS; EXCLUSION DES DOMMAGES FORTUITS OU INDIRECTS

LE SEUL ET EXCLUSIF RECOURS DU CLIENT DANS LE CADRE DE LA PRÉSENTE GARANTIE LIMITÉE CONSISTE EN LA RÉPARATION PRÉVUE CI-DESSUS. WHIRLPOOL N'ASSUME AUCUNE RESPONSABILITÉ POUR LES DOMMAGES FORTUITS OU INDIRECTS. Certains États et certaines provinces ne permettent pas l'exclusion ou la limitation des dommages fortuits ou indirects de sorte que ces limitations et exclusions peuvent ne pas être applicables dans votre cas. Cette garantie vous confère des droits juridiques spécifiques, et vous pouvez également jouir d'autres droits qui peuvent varier d'une juridiction à l'autre.

11/14

Assistance or Service

Before calling for assistance or service, please check "Troubleshooting" or visit www.whirlpool.com/help. It may save you the cost of a service call. If you still need help, follow the instructions below.

When calling, please know the purchase date and the complete model and serial number of your appliance. This information will help us to better respond to your request.

If you need replacement parts or to order accessories

We recommend that you use only FSP® Factory Specified Parts. These parts will fit right and work right because they are made with the same precision used to build every new WHIRLPOOL® appliance.

To locate FSP® replacement parts or accessories go to www.whirlpoolpartsonline.com.

Questions? Call us toll free at 1-866-698-2538 or in Canada call 1-800-688-2002.

Our consultants provide assistance with

In the U.S.A.

- Features and specifications on our full line of appliances.
- Installation information.
- Specialized customer assistance (Spanish speaking, hearing impaired, limited vision, etc.).

In the U.S.A. and Canada

- Use and maintenance procedures.
- Accessory and repair parts sales.
- Referrals to local dealers, repair parts distributors, and service companies. Whirlpool designated service technicians are trained to fulfill the product warranty and provide after-warranty service, anywhere in the United States and Canada.

You can write with any questions or concerns at:

Whirlpool Brand Appliances
Customer eXperience Center
553 Benson Road
Benton Harbor, MI 49022-2692
1-866-698-2538

Whirlpool Brand Appliances
Customer eXperience Centre
Unit 200-6750 Century Ave
Mississauga, Ontario L5N 0B7
1-800-688-2002

Please include a daytime phone number in your correspondence.

Assistance ou Service

Avant de faire un appel pour obtenir de l'assistance ou un entretien, vérifier la section "Dépannage" ou consulter www.whirlpool.com/help. Cette vérification peut vous faire économiser le coût d'une visite de réparation.

Si vous avez encore besoin d'aide, suivre les instructions ci-dessous.

Lors d'un appel, garder à portée de main la date d'achat et les numéros de modèle et de série de votre appareil. Ces renseignements nous aideront à mieux répondre à votre demande.

Pour commander des pièces de rechange ou des accessoires

Pour commander des pièces de rechange, nous vous recommandons d'utiliser seulement des pièces spécifiées par l'usine. Ces pièces conviendront et fonctionneront bien parce qu'elles sont fabriquées selon les mêmes spécifications précises utilisées pour construire chaque nouvel appareil WHIRLPOOL®.

Pour trouver des pièces de rechange FSP® ou des accessoires, visiter le www.whirlpool.ca.

Des questions? Composer le numéro sans frais 1-800-688-2002.

Nos consultants fournissent l'assistance pour :

- Procédés d'utilisation et d'entretien.
- Vente d'accessoires et de pièces de rechange.
- Références aux concessionnaires, compagnies de service de réparation et distributeurs de pièces de rechange locaux. Les techniciens de service désignés par Whirlpool sont formés pour remplir la garantie des produits et fournir un service après la garantie, partout au Canada.

Pour plus d'assistance

Vous pouvez nous soumettre toute question ou tout problème en écrivant à l'adresse ci-dessous :

Whirlpool Brand Appliances
Centre pour l'eXpérience de la clientèle
Unit 200-6750 Century Ave
Mississauga, Ontario L5N 0B7
1-800-688-2002

Dans votre correspondance, veuillez indiquer un numéro de téléphone où nous pouvons vous joindre dans la journée.